

# DEUBLIN

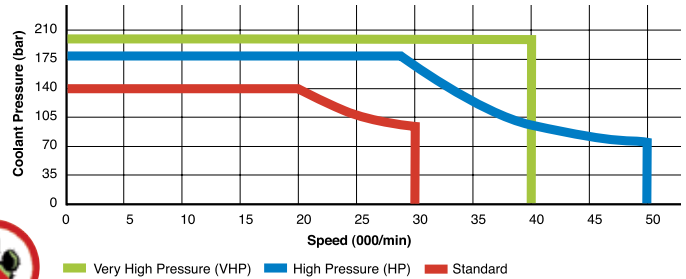
## 1117 Series Bearingless "Closed Seal" Rotating Unions for Continuous Coolant Service

- Single passage for coolant or MQL
- Closed seals for transfer line and similar applications
- Full-flow design has no obstructions to trap chips or debris
- Balanced mechanical seals made from silicon carbide for long life even under difficult operating conditions
- Compact size can be adapted for custom installations
- Anodized aluminum housing resists corrosion

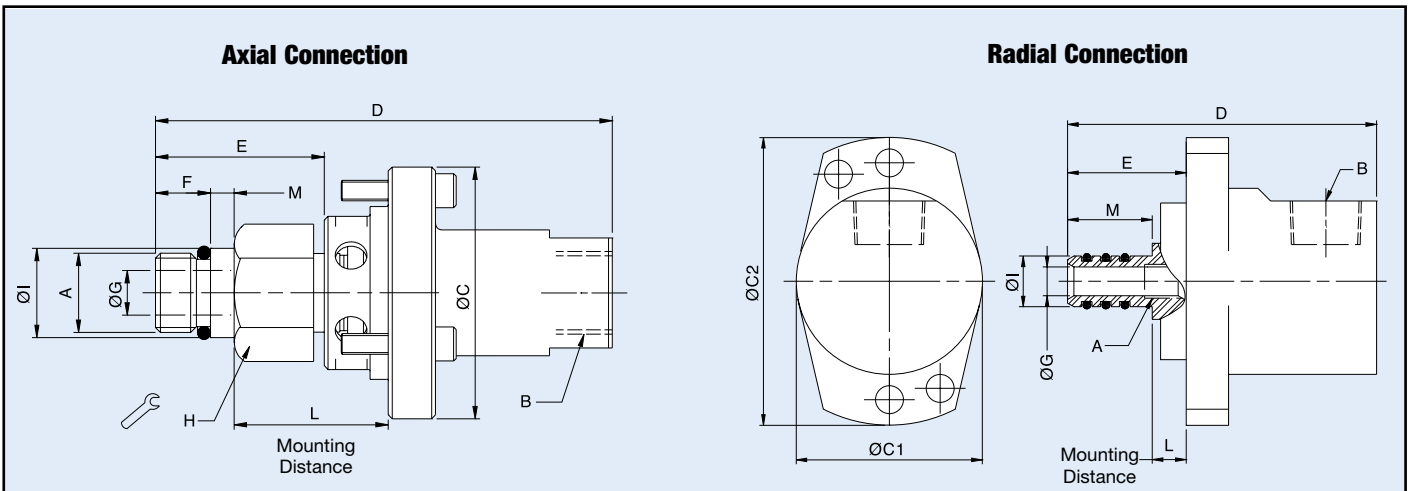


### Operating Data

Media	Water-based Coolant MQL (oil mist) up to 10 bar (145 psi)		
Filtration	ISO 4406 Class 17/15/12, max. 60 micron		
Maximum Speed	See table		
Maximum Pressure	See Chart		
Maximum Flow	82 l/min	21.6 gpm	Standard
	24.3 l/min	6.4 gpm	High Pressure (HP)
	2.7 l/min	0.7 gpm	Very High Pressure (VHP)
Maximum Temperature	71°C	160°F	



DO NOT RUN DRY



	Ordering Number	B Supply Connection	C Overall Diameter	D Overall Length	L Mounting Distance	A Rotor Connection	E Rotor Length	G Bore Diameter	H Across Flats	I Pilot Diameter	M Pilot Length	Max Speed (rpm)
Radial	1117-706	G 3/8"	44	72	7.5 / 7.0	12f7	21	7	NA	11.984 / 11.966	20	10,000*
	1117-711	3/8" NPT	44 x 68	73	8.0 / 7.5	12f7	28	7	NA	11.984 / 11.966	20	10,000*
	1117-792	G 3/8"	44	72	7.5 / 7.0	12f7	21	7	NA	11.984 / 11.966	20	30,000
Standard Axial Connection	1117-002-110	3/8" NPT	51	95	31.7 / 30.5	5/8"-18 UNF RH	37	9	15/16"	0.6555" / 0.6553"	5	30,000
	1117-002-111	3/8" NPT	51	95	31.7 / 30.5	5/8"-18 UNF LH	37	9	15/16"	0.6555" / 0.6553"	5	30,000
	1117-002-116	3/8" NPT	51	92	31.7 / 30.5	M16 x 1.5 LH	34	9	24	17.993 / 17.988	5	30,000
	1117-058-116	G 3/8"	51	92	31.7 / 30.5	M16 x 1.5 LH	34	9	24	17.993 / 17.988	5	30,000
HP Axial Connection	1117-490-493	3/8" PT	54	105	39.6 / 38.6	M12 x 1.25 LH	40	5	18	14.000 / 13.995	5	50,000
VHP Axial Connection	1117-063-294	G 1/4"	51	92	31.7 / 30.5	M16 x 1.5 LH	34	5	24	17.993 / 17.988	5	40,000

\* Union includes integral lip seal for added spindle protection.