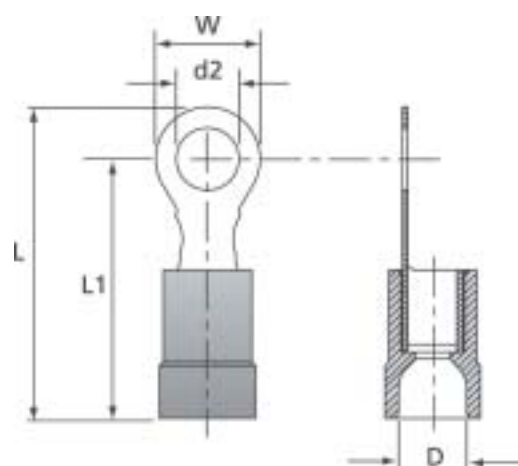


## Polycarbonate Insulated Ring Terminals



### Technical Information

Material	Electrolytic copper
Plating	Tin plated
Marking	Wire size and bolt size stamped on the tongue
Metal barrel	Brazed seam to prevent barrel separation
Insulation	PC = Polycarbonate
Temperature resistance	+115°C / +125°C
Color coding of the insulation	According to the wire size
Cable insertion	Easy entry

### Ordering Information

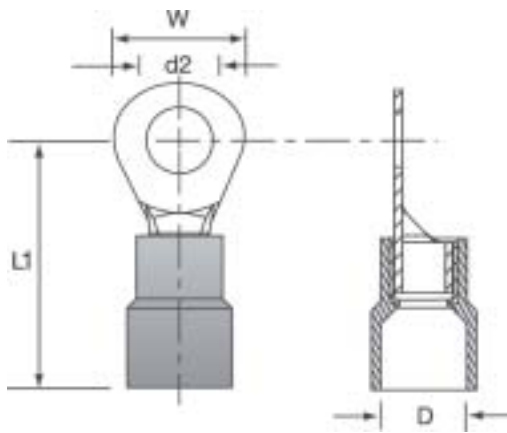
Cat. No.	Wire Size Range (mm <sup>2</sup> )	Color	Stud Hole Size d2	Dimensions				Wt. (g/100)	Qty. (pieces)	Crimping Tool
				W (mm)	L (mm)	D (mm)	L1 (mm)			
RZ3	0.25 - 0.75	Green	M3	5.5	18.0	3.2	15.0	36	100	ERG2510
RZ4	0.25 - 0.75	Green	M4	7.5	21.0	3.2	17.5	45	100	
RZ5	0.25 - 0.75	Green	M5	9.0	22.0	3.2	17.5	51	100	
RA3RR	0.5 - 1.5	Red	M3	5.5	19.0	4.0	16.0	60	100	ERG2001A WT2124Y
RA4RR	0.5 - 1.5	Red	M4	7.0	20.5	4.0	17.0	71	100	
RA5RR	0.5 - 1.5	Red	M5	9.0	22.5	4.0	18.0	79	100	
RA6RR	0.5 - 1.5	Red	M6	11.0	26.5	4.0	21.0	96	100	
RB3	1.5 - 2.5	Blue	M3	5.5	19.0	4.5	16.0	75	100	
RB4-EU	1.5 - 2.5	Blue	M4	7.0	20.5	4.5	17.0	92	100	
RB5	1.5 - 2.5	Blue	M5	9.0	22.5	4.5	18.0	96	100	
RB6	1.5 - 2.5	Blue	M6	11.0	26.5	4.5	21.0	117	100	
RB8	1.5 - 2.5	Blue	M8	14.0	27.5	4.5	21.0	141	100	
RC4	4.0 - 6.0	Yellow	M4	8.0	24.0	6.4	20.5	158	100	
RC5	4.0 - 6.0	Yellow	M5	9.0	25.0	6.4	20.5	166	100	
RC6-EU	4.0 - 6.0	Yellow	M6	11.0	28.5	6.4	23.0	179	100	
RC8	4.0 - 6.0	Yellow	M8	14.0	31.0	6.4	24.0	220	100	
RC10E	4.0 - 6.0	Yellow	M10	17.0	34.0	6.4	25.5	245	100	

## Nylon Insulated Ring Terminals DIN 46237



### Technical Information

Material	Copper
Plating	Tin plated
Marking	Wire size and bolt size stamped on the tongue
Metal barrel	Brazed seam to prevent barrel separation
Insulation	PA = Polyamide Ideal for harsh environments, provides excellent chemical, impact and abrasion resistance
Temperature resistance	+85°C / +105°C
Color coding of the insulation	According to the wire size



### Ordering Information

Cat. No.	Wire Size Range (mm <sup>2</sup> )	Color	Stud Hole Size d2	Dimensions			Wt. (g/100)	Qty. (pieces)	Crimping Tool
				W (mm)	L1 (mm)	D (mm)			
TRA3	0.5 - 1.5	Red	M3	5.5	17.5	4.0	70	100	
TRA35	0.5 - 1.5	Red	M3.5	6.6	20.4	4.0	67	100	
TRA4	0.5 - 1.5	Red	M4	8.0	21.8	4.0	76	100	
TRA5	0.5 - 1.5	Red	M5	8.0	21.8	4.0	79	100	
TRA6	0.5 - 1.5	Red	M6	11.6	27.5	4.0	108	100	
TRA8	0.5 - 1.5	Red	M8	11.6	27.5	4.0	134	100	
TRB3	1.5 - 2.5	Blue	M3	6.0	20.6	4.5	79	100	
TRB35	1.5 - 2.5	Blue	M3.5	8.5	23.0	4.5	76	100	
TRB4	1.5 - 2.5	Blue	M4	8.5	23.0	4.5	79	100	
TRB5	1.5 - 2.5	Blue	M5	9.5	22.9	4.5	89	100	
TRB6	1.5 - 2.5	Blue	M6	12.0	28.0	4.5	117	100	
TRB8	1.5 - 2.5	Blue	M8	12.0	28.0	4.5	148	100	
TRB10	1.5 - 2.5	Blue	M10	13.6	31.7	4.5	204	100	
TRC4-EU	4.0 - 6.0	Yellow	M4	7.4	26.7	6.4	158	100	
TRC5-EU	4.0 - 6.0	Yellow	M5	9.5	26.7	6.4	175	100	
TRC6-EU	4.0 - 6.0	Yellow	M6	12.0	32.7	6.4	187	100	
TRC8	4.0 - 6.0	Yellow	M8	15.0	34.9	6.4	230	100	
TRC10	4.0 - 6.0	Yellow	M10	15.0	34.9	6.4	296	100	

ERG2001A  
WT2124Y

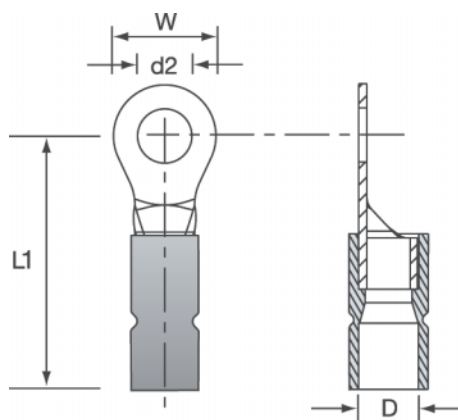
## Vinyl Insulated Ring Terminals DIN 46237



### Technical Information

Material	Copper
Plating	Tin plated
Marking	Wire size and bolt size stamped on the tongue
Metal barrel	Brazed seam to prevent barrel separation
Insulation	PVC = Polyvinylchloride (Vinyl). Ideal for harsh environments, provides excellent chemical, impact and abrasion resistance
	+75°C 600 Volts max
	According to the wire size

Max. electrical rating  
Color coding of the insulation



### Ordering Information

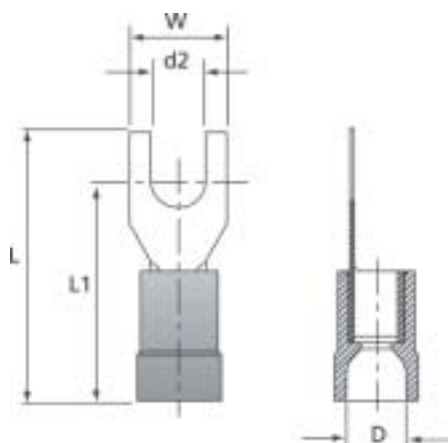
Cat. No.	Wire Size		Stud Hole Size d2	Dimensions			Wt. (g/100)	Qty. (pieces)	Crimping Tool
	Range (mm <sup>2</sup> )	Color		W (mm)	L1 (mm)	D (mm)			
VB-3RR	0.5 - 1.5	Red	M3	6.0	17.2	4.0	68	100	ERG2001A WT2124Y
VB-35RR	0.5 - 1.5	Red	M3.5	6.0	17.2	4.0	69	100	
VB-4RR	0.5 - 1.5	Red	M4	8.0	18.2	4.0	73	100	
VB-5RR	0.5 - 1.5	Red	M5	10.0	19.2	4.0	92	100	
VB-6RR	0.5 - 1.5	Red	M6	10.0	19.2	4.0	87	100	
VB-8RR	0.5 - 1.5	Red	M8	14.0	23.2	4.0	139	100	
VB-10RR	0.5 - 1.5	Red	M10	14.0	23.2	4.0	100	100	
VB-3BR	1.5 - 2.5	Blue	M3	6.0	17.5	4.5	80	100	
VB-35BR	1.5 - 2.5	Blue	M3.5	6.0	17.5	4.5	94	100	
VB-4BR	1.5 - 2.5	Blue	M4	8.0	18.5	4.5	83	100	
VB-5BR	1.5 - 2.5	Blue	M5	10.0	20.5	4.5	110	100	
VB-6BR	1.5 - 2.5	Blue	M6	11.0	22.5	4.5	122	100	
VB-8BR	1.5 - 2.5	Blue	M8	14.0	23.5	4.5	146	100	
VB-10BR	1.5 - 2.5	Blue	M10	15.0	23.5	4.5	204	100	
VB-4YR	4.0 - 6.0	Yellow	M4	8.0	22.1	6.3	167	100	
VB-5YR	4.0 - 6.0	Yellow	M5	10.0	23.1	6.3	196	100	
VB-6YR	4.0 - 6.0	Yellow	M6	11.0	24.1	6.3	195	100	
VB-8YR	4.0 - 6.0	Yellow	M8	14.0	27.1	6.3	250	100	
VB-10YR	4.0 - 6.0	Yellow	M10	18.0	29.1	6.3	305	100	

## Polycarbonate Insulated Fork Terminals



### Technical Information

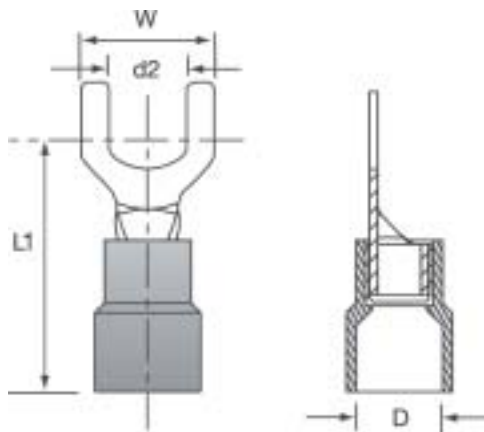
Material	Electrolytic copper
Plating	Tin plated
Marking	Wire size and bolt size stamped on the tongue
Metal barrel	Brazed seam to prevent barrel separation
Insulation	PC = Polycarbonate
Temperature resistance	+115°C / +125°C
Color coding of the insulation	According to the wire size
Cable insertion	Easy entry



### Ordering Information

Cat. No.	Wire Size Range (mm <sup>2</sup> )	Color	Stud Hole Size d2	Dimensions				Wt. (g/100)	Qty. (pieces)	Crimping Tool
				W (mm)	L (mm)	D (mm)	L1 (mm)			
RZ3F	0.25 - 0.75	Green	M3	5.5	18.0	3.2	15.0	41	100	ERG2510
RZ4F	0.25 - 0.75	Green	M4	7.5	21.0	3.2	17.5	41	100	
RA35F	0.5 - 1.5	Red	M3.5	5.5	21.0	4.0	17.5	62	100	
RA4F	0.5 - 1.5	Red	M4	7.0	20.5	4.0	17.0	64	100	
RA5F	0.5 - 1.5	Red	M5	9.0	22.5	4.0	18.0	75	100	ERG2001A WT2124Y
RA6F	0.5 - 1.5	Red	M6	11.0	26.5	4.0	21.0	90	100	
RB3F	1.5 - 2.5	Blue	M3	5.5	19.0	4.5	16.0	72	100	
RB4F	1.5 - 2.5	Blue	M4	7.0	20.5	4.5	17.0	84	100	
RB5F	1.5 - 2.5	Blue	M5	9.0	22.5	4.5	18.0	96	100	
RB6F	1.5 - 2.5	Blue	M6	11.0	26.5	4.5	21.0	113	100	
RC4F	4.0 - 6.0	Yellow	M4	8.0	24.0	6.4	20.5	159	100	
RC5F	4.0 - 6.0	Yellow	M5	9.0	25.0	6.4	20.5	161	100	
RC6F	4.0 - 6.0	Yellow	M6	11.0	28.5	6.4	23.0	174	100	
RC8F	4.0 - 6.0	Yellow	M8	14.0	31.0	6.4	24.0	207	100	
RC10F	4.0 - 6.0	Yellow	M10	18.0	36.0	6.4	27.0	280	100	

## Nylon Insulated Fork Terminals DIN 46237



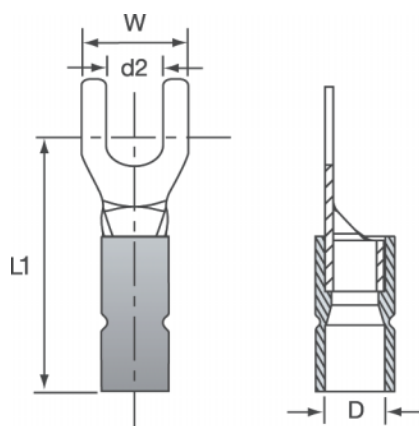
### Technical Information

Material	Copper
Plating	Tin plated
Marking	Wire size and bolt size stamped on the tongue
Metal barrel	Brazed seam to prevent barrel separation
Insulation	PA = Polyamide Ideal for harsh environments, provides excellent chemical, impact and abrasion resistance
Temperature resistance	+85°C / +105°C
Color coding of the insulation	According to the wire size
Cable insertion	Easy entry

### Ordering Information

Cat. No.	Wire Size Range (mm <sup>2</sup> )	Color	Stud Hole Size d2	Dimensions			Wt. (g/100)	Qty. (pieces)	Crimping Tool
				W (mm)	L1 (mm)	D (mm)			
TRA3F	0.5 - 1.5	Red	M3	5.7	22.0	4.0	65	100	ERG2001A WT2124Y
TRA35F	0.5 - 1.5	Red	M3.5	6.2	22.0	4.0	62	100	
TRA4F	0.5 - 1.5	Red	M4	7.2	22.0	4.0	70	100	
TRA5F	0.5 - 1.5	Red	M5	8.0	22.0	4.0	92	100	
TRA6F	0.5 - 1.5	Red	M6	10.8	23.0	4.0	102	100	
TRB3F	1.5 - 2.5	Blue	M3	5.7	22.2	4.5	81	100	
TRB35F	1.5 - 2.5	Blue	M3.5	6.2	22.2	4.5	74	100	
TRB4F	1.5 - 2.5	Blue	M4	7.2	22.2	4.5	80	100	
TRB5F	1.5 - 2.5	Blue	M5	8.0	22.2	4.5	110	100	
TRB6F	1.5 - 2.5	Blue	M6	10.8	23.5	4.5	122	100	
TRC4F	4.0 - 6.0	Yellow	M4	8.2	26.7	6.4	163	100	
TRC5F	4.0 - 6.0	Yellow	M5	9.0	26.7	6.4	182	100	
TRC6F	4.0 - 6.0	Yellow	M6	12.0	30.3	6.4	190	100	

## Vinyl Insulated Fork Terminals DIN 46237



### Technical Information

Material	Copper
Plating	Tin plated
Marking	Wire size and bolt size stamped on the tongue
Metal barrel	Brazed seam to prevent barrel separation
Insulation	PVC = Polyvinylchloride (Vinyl)
Max. electrical rating	+75°C 600 Volts
Color coding of the insulation	According to the wire size
Cable insertion	Easy entry

### Ordering Information

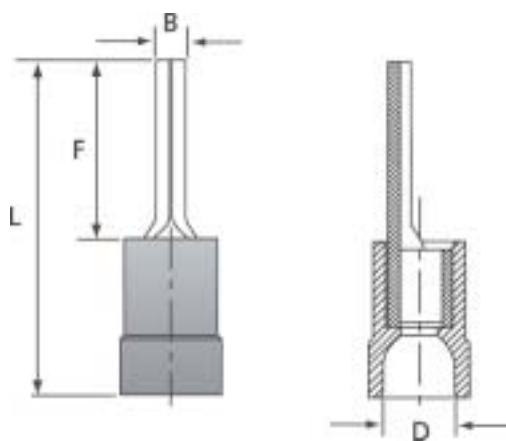
Cat. No.	Wire Size Range (mm <sup>2</sup> )	Color	Stud Hole Size d2	Dimensions			Wt. (g/100)	Qty. (pieces)	Crimping Tool
				W (mm)	L1 (mm)	D (mm)			
VB-3RF	0.5 - 1.5	Red	M3	6.0	17.2	4.0	68	100	ERG2001A WT2124Y
VB-35RF	0.5 - 1.5	Red	M3.5	6.0	17.2	4.0	68	100	
VB-4RF	0.5 - 1.5	Red	M4	6.8	18.2	4.0	73	100	
VB-5RF	0.5 - 1.5	Red	M5	10.0	19.2	4.0	92	100	
VB-6RF	0.5 - 1.5	Red	M6	11.0	21.2	4.0	103	100	
VB-3BF	1.5 - 2.5	Blue	M3	5.5	19.5	4.5	90	100	
VB-35BF	1.5 - 2.5	Blue	M3.5	6.0	17.5	4.5	97	100	
VB-4BF	1.5 - 2.5	Blue	M4	6.8	19.2	4.5	83	100	
VB-5BF	1.5 - 2.5	Blue	M5	10.0	20.5	4.5	110	100	
VB-6BF	1.5 - 2.5	Blue	M6	11.0	22.5	4.5	121	100	
VB-4YF	2.5 - 6.0	Yellow	M4	8.0	22.1	6.3	169	100	
VB-5YF	2.5 - 6.0	Yellow	M5	10.0	23.1	6.3	189	100	
VB-6YF	2.5 - 6.0	Yellow	M6	11.0	24.1	6.3	200	100	
VB-8YF	2.5 - 6.0	Yellow	M8	14.0	27.1	6.3	235	100	
VB-10YF	2.5 - 6.0	Yellow	M10	18.0	29.1	6.3	305	100	

## Polycarbonate Insulated Pin Terminals



### Technical Information

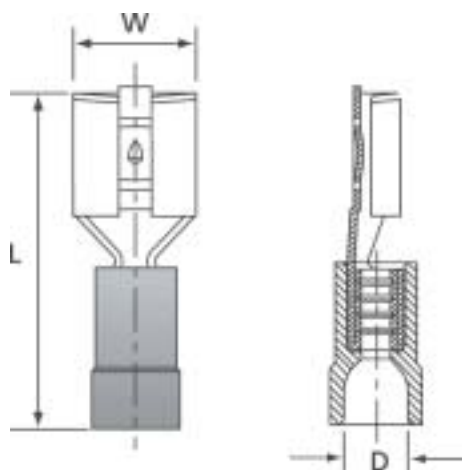
Material	Electrolytic copper
Plating	Tin plated
Metal barrel	Brazed seam to prevent barrel separation
Insulation	PC = Polycarbonate
Temperature resistance	+115°C / +125°C
Color coding of the insulation	According to the wire size
Cable insertion	Easy entry



### Ordering Information

Cat. No.	Wire Size Range (mm <sup>2</sup> )	Color	Dimensions				Wt. (g/100)	Qty. (pieces)	Crimping Tool
			W (mm)	F (mm)	B (mm)	D (mm)			
RZP	0.25 - 0.75	Green	22.0	12.0	1.8	3.2	47	100	ERG2510
RAP	0.5 - 1.5	Red	22.0	12.0	1.9	4.0	67	100	ERG2001A WT2124Y
RBP	1.5 - 2.5	Blue	22.0	12.0	1.9	4.5	80	100	
RCP	4.0 - 6.0	Yellow	27.0	14.0	2.8	6.4	175	100	

## Insulated Female Disconnects DIN 46245



### Technical Information

Material	Brass
Plating	Tin plated
Metal barrel	Brazed seam to prevent barrel separation
Insulation	PC = Polycarbonate
Temperature resistance	+115°C / +125°C (for PVC insulation +65°C / +75°C)
Color coding of the insulation	According to the wire size (DIN)
Cable insertion	Easy entry

### Ordering Information

Cat. No.	Wire Size Range (mm <sup>2</sup> )	Male Tab Size (mm)	Color	Dimensions			Wt. (g/100)	Qty. (pieces)	Crimping Tool
				L (mm)	D (mm)	W (mm)			
RA28	0.5 - 1.5	2.8 x 0.8	Red	18.5	3.3	3.5	60	100	ERG2001A WT2124Y
RA29	0.5 - 1.5	2.8 x 0.5	Red	18.5	3.3	3.5	60	100	
RA48**	0.5 - 1.5	4.8 x 0.8	Red	19.0	3.7	5.7	82	100	
RA49**	0.5 - 1.5	4.8 x 0.5	Red	19.0	3.7	5.7	83	100	
RA63	0.5 - 1.5	6.3 x 0.8	Red	20.0	4.0	7.6	96	100	
RB48**	1.5 - 2.5	4.8 x 0.5	Blue	19.0	4.4	5.7	91	100	
RB49**	1.5 - 2.5	4.8 x 0.8	Blue	19.0	4.4	5.7	87	100	
RB63	1.5 - 2.5	6.3 x 0.8	Blue	20.0	4.5	7.6	106	100	
RC63	4.0 - 6.0	6.3 x 0.8	Yellow	24.0	6.4	7.6	183	100	
RC95**	4.0 - 6.0	9.5 x 1.2	Yellow	31.0	6.2	11.0	233	100	

\*\*Non-brazed, with support sleeve and PVC insulation, not easy entry.

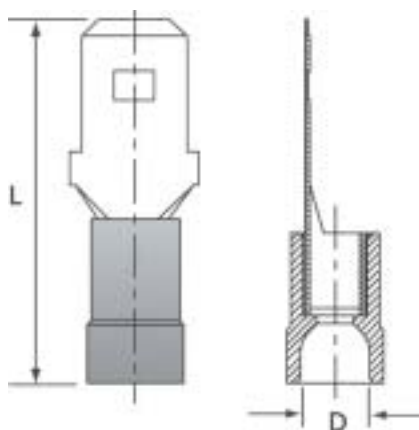


## Insulated Male Disconnects DIN 46245



### Technical Information

Material	Brass
Plating	Tin plated
Metal barrel	Brazed seam to prevent barrel separation
Insulation	PC = Polycarbonate
Temperature resistance	+115°C / +125°C (for PVC insulation +65°C / +75°C)
Color coding of the insulation	According to the wire size (DIN)
Cable insertion	Easy entry



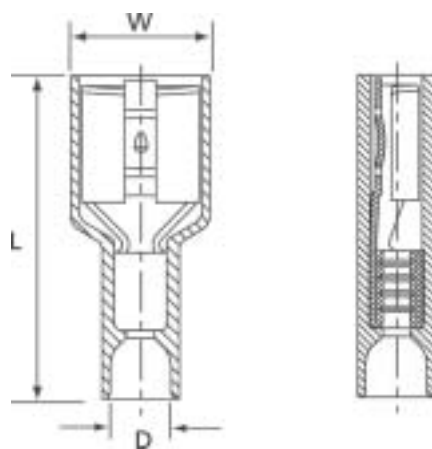
### Ordering Information

Cat. No.	Wire Size Range (mm <sup>2</sup> )	Male Tab Size (mm)	Color	Dimensions		Wt. (g/100)	Qty. (pieces)	Crimping Tool
				L (mm)	D (mm)			
RA63M	0.5 - 1.5	6.3 x 0.8	Red	22.0	4.0	107	100	ERG2001A WT2124Y
RB63M	1.5 - 2.5	6.3 x 0.8	Blue	22.0	4.5	107	100	
RC63M**	4.0 - 6.0	6.3 x 0.8	Yellow	25.0	6.3	155	100	

\*\*PVC insulation. No easy entry and non-brazed, with brass support sleeve.

# Sta-Kon®

## Fully Insulated Female Disconnects



### Technical Information

Material	Brass
Plating	Tin plated
Metal barrel	Non-brazed, with brass support sleeve
Insulation	PA = Polyamide Ideal for harsh environments, provides excellent chemical, impact and abrasion resistance
Temperature resistance	+85°C / +105°C
Color coding of the insulation	According to the wire size (DIN)

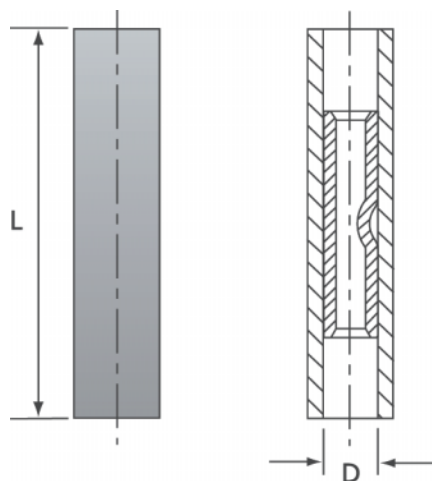
### Ordering Information

Cat. No.	Wire Size Range (mm <sup>2</sup> )	Male Tab Size (mm)	Color	Dimensions			Wt. (g/100)	Qty. (pieces)	Crimping Tool
				W (mm)	L (mm)	D (mm)			
RA28V	0.5 - 1.5	2.8 x 0.8	Red	5.0	19.3	3.8	110	100	ERG2001A WT2124Y
RA29V	0.5 - 1.5	2.8 x 0.5	Red	5.0	19.3	3.8	110	100	
RA48V	0.5 - 1.5	4.8 x 0.8	Red	7.4	20.2	3.6	115	100	
RA49V	0.5 - 1.5	4.8 x 0.5	Red	7.4	20.2	3.6	115	100	
RA63V**	0.5 - 1.5	6.3 x 0.8	Red	8.8	21.0	4.0	123	100	
RB48V	1.5 - 2.5	4.8 x 0.8	Blue	7.1	19.5	3.9	120	100	
RB49V	1.5 - 2.5	4.8 x 0.5	Blue	7.1	19.5	3.9	120	100	
RB63V**	1.5 - 2.5	6.3 x 0.8	Blue	8.8	21.0	4.5	132	100	
RC63V	4.0 - 6.0	6.3 x 0.8	Yellow	9.0	26.0	5.3	215	100	

\*\*Easy entry and brazed barrel, polycarbonate insulator.

# Sta-Kon®

## Fully Insulated Butt Splices



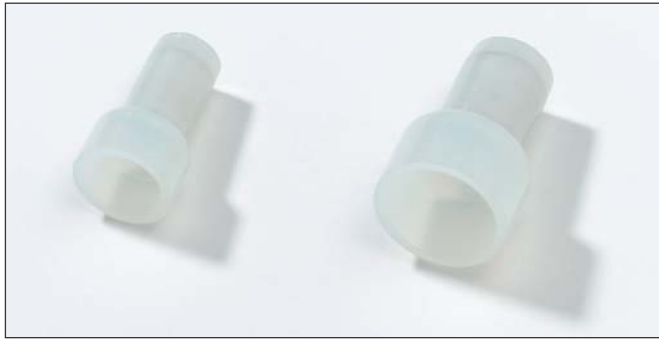
### Technical Information

Material	Electrolytic copper
Plating	Tin plated
Metal barrel	Brazed seam to prevent barrel separation
Insulation	PC = Polycarbonate
Temperature resistance	+115°C / +125°C
Color coding of the insulation	According to the wire size (DIN)
Cable insertion	Easy entry

### Ordering Information

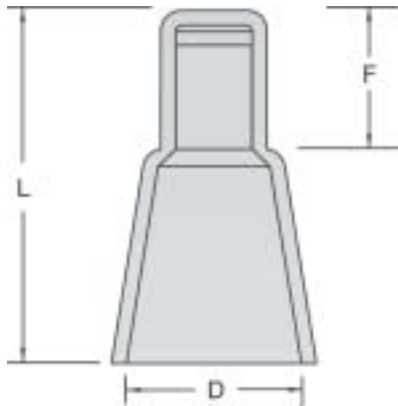
Cat. No.	Wire Size Range (mm <sup>2</sup> )	Color	Dimensions		Wt. (g/100)	Qty. (pieces)	Crimping Tool
			L (mm)	D (mm)			
RAA15	0.5 - 1.5	Red	24.0	3.4	97	100	
RBB25	1.5 - 2.5	Blue	26.0	4.3	150	100	ERG2001A WT2124Y
RCC6	4.0 - 6.0	Yellow	33.0	6.5	316	100	

# Sta-Kon® Insulated Wire Joints



## Technical Information

Material	Brass
Plating	Tin plated
Metal barrel	Brazed seam to prevent barrel separation
Insulation	PA = Polyamide Ideal for harsh environments, provides excellent chemical, impact and abrasion resistance
Temperature resistance	+85°C / 105°C



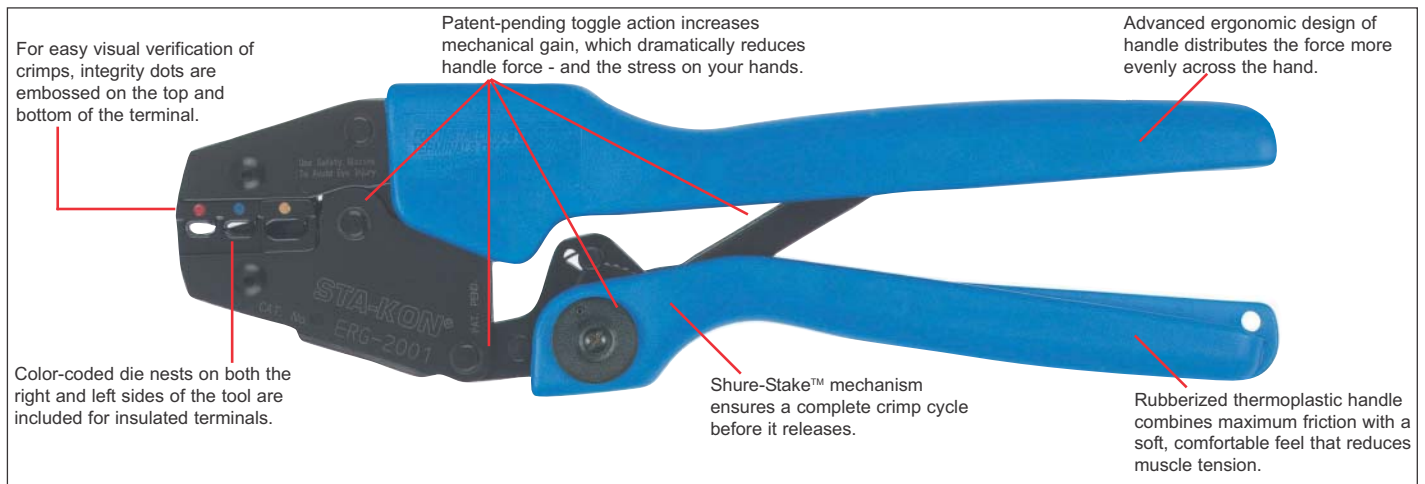
## Ordering Information

Cat. No.	Wire Size Range (mm <sup>2</sup> )	Color	Dimensions			Wt. (g/100)	Qty. (pieces)	Crimping Tool
			F (mm)	L (mm)	D (mm)			
RBJ	1.0 - 3.0	White	8.0	15.2	6.4	86	100	ERG2001A
RCJ	2.0 - 6.0	White	9.0	17.7	9.2	166	100	WT2124Y

# Sta-Kon® Tools

## Ergonomic Hand Tools

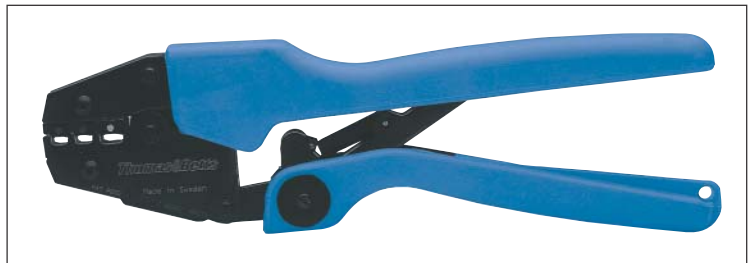
- Ergonomic ratchet style hand tools used for installing insulated and non-insulated terminals.
- Specially designed ergonomic handles distribute the crimping force more evenly across the user's hands. This helps to reduce the risk of Carpal Tunnel Syndrome, the cause of almost one in two industrial injuries.
- Ratchet design greatly reduces handle forces over conventional hand tools and incorporates the **Shure-Stake™ mechanism** which ensures a full crimp cycle every time.
- Most dies incorporate wire range mark for easy inspection (insulated only).
- Color coded die nests (insulated only) makes terminal and die nest selection easy.
- The product design and engineering results in a long lasting precision tool.
- Exists in 2 versions: with interchangeable dies or with fixed dies.



## Ergonomic Hand Tools with Fixed Die

### Product Ref.: ERG2001A

- Ergonomic fixed die tool, with three color-coded die nests for easy selection
- For **insulated terminals** from:  
0.5 to 1.5 mm<sup>2</sup> red  
1.5 to 2.5 mm<sup>2</sup> blue  
4.0 to 6.0 mm<sup>2</sup> yellow
- **Shure-Stake™ mechanism**
- Length: 255 mm
- Weight: 560 g



### Product Ref.: ERG2510

- Ergonomic fixed die tool with 2 die nests
- For **insulated terminals** and **insulated bootlace ferrules** from:  
0.25 to 0.5 mm<sup>2</sup>  
0.5 to 1.0 mm<sup>2</sup>
- **Shure-Stake™ mechanism**
- Length: 220 mm
- Weight: 430 g



## Crimping Tools

---

An extensive range of tooling is available, suiting a variety of requirements, to crimp the following terminals:

- Insulated terminals and bootlace ferrules
- Non-insulated terminals
- Copper tube terminals

Different types of tooling are offered, depending on volume and application:

- Plier type hand tools for occasional applications (“Do-It-Yourself” users)
- Standard hand tooling for low to medium volume applications
- Ergonomic hand tooling for low to medium volume applications, where high, repeatable quality is essential
- Hydraulic tooling for heavy-duty applications
- Smart tools where no die change is necessary

## Standard Crimping Tools

---

### Product Ref.: WT52

- Plier type tool
- For **insulated** and **non-insulated terminals** from 0.5 to 6 mm<sup>2</sup>
- Incorporates wire stripper and bolt cutters
- Recommended for “Do-It-Yourself” applications only
- Length: 225 mm
- Weight: 200 g



### Product Ref.: WT2124Y

- Ratchet type hand tool, fixed die
- For **insulated** and **non-insulated terminals** from:  
0.5 to 1.5 mm<sup>2</sup> red  
1.5 to 2.5 mm<sup>2</sup> blue  
4.0 to 6.0 mm<sup>2</sup> yellow
- Built in **Shure-Stake™** mechanism to ensure a full compression every time
- Length: 228 mm
- Weight: 533 g



# Connectors for Metric Copper Conductors



Color-Keyed® metric lugs are manufactured from electrolytic copper tube.

The dimensions of the tube are designed to obtain the most efficient electrical conductivity and mechanical strength, resisting vibration and pull out.

Color-Keyed® metric lugs are annealed to guarantee optimum ductility which is a necessity for compression connectors having to withstand severe deformation arising when compressed or bending of the tongue that may happen during installation.

Connectors have to perform adequately with vibration loads and annealing is necessary to avoid material failure between the barrel and the tongue.

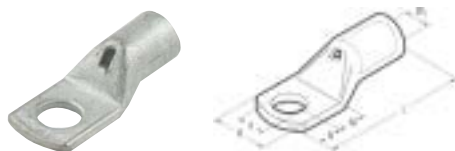
The presence of an inspection hole facilitates full insertion of the conductor, and the barrel length is designed to allow easy and accurate positioning of the dies during the crimping operation.

Lugs are electrolytically tin plated to eliminate oxidation of the copper material. Color-Keyed® metric lugs complement our connector family and meet a growing need for customer's connector requirements. Details of the appropriate crimping tools and dies are included. Our Technical Services group is always available to provide any technical advice required. Please contact them if sizes are needed additional to those shown in this catalog.

Cond. Size sqmm low stranded / flexible	Ø Stud mm	T&B Cat. No.	Dimensions (mm)						Std. Pkg.	6 Ton	14 Ton	26 Ton	60 Ton
			Øi	B	M	N	L	d		TBM62BSCR (Crimps)	BPLT14BSCRI (Crimps)	TBM26MCC (Crimps)	TBM60MCC (Crimps)
4+6	4	MCC6M4	3.6	8.0	5.0	4.0	21.5	4.3	100	MCD6-6 (1)	NA	NA	NA
	5	MCC6M5	3.6	9.0	6.5	6.0	25.0	5.3	100				
	6	MCC6M6	3.6	11.0	7.0	6.0	25.5	6.4	100				
10	4	MCC10M4*	4.6	10.0	5.0	4.0	22.5	4.3	100	MCD10-6 (1)	MCD10-14 (1)	NA	NA
	5	MCC10M5*	4.6	10.0	6.5	6.0	26.0	5.3	100				
	6	MCC10M6*	4.6	11.0	7.0	6.0	26.5	6.4	100				
	8	MCC10M8*	4.6	15.0	9.0	8.0	30.5	8.4	100				
16	4	MCC16M4*	5.8	11.5	5.0	4.0	25.5	4.3	100	MCD16-6 (1)	MCD16-14 (1)	NA	NA
	5	MCC16M5*	5.8	11.5	6.5	6.0	29.0	5.3	100				
	6	MCC16M6*	5.8	11.5	7.0	6.0	29.5	6.4	100				
	8	MCC16M8*	5.8	15.0	9.0	8.0	33.5	8.4	100				
25	5	MCC25M5*	7.0	14.0	6.5	6.0	31.5	5.3	100	MCD25-6 (1)	MCD25-14 (1)	NA	NA
	6	MCC25M6*	7.0	14.0	7.0	6.0	32.0	6.4	100				
	8	MCC25M8*	7.0	15.0	9.0	8.0	36.0	8.4	100				
	10	MCC25M10*	7.0	18.0	11.0	10.0	40.0	10.5	100				
35 25 35	5	MCC35M5*	8.9	17.0	6.5	6.0	34.0	5.3	100	MCD35-6 (1)	MCD35-14 (1)	NA	NA
	6	MCC35M6*	8.9	17.0	7.0	6.0	34.5	6.4	100				
	8	MCC35M8*	8.9	17.0	9.0	8.0	38.5	8.4	100				
	10	MCC35M10*	8.9	19.0	11.0	10.0	42.5	10.5	100				
50 35 50	8	MCC50M8*	10.0	19.0	9.0	8.0	42.5	8.4	50	MCD50-6 (2)	MCD50-14 (1)	NA	NA
	10	MCC50M10*	10.0	20.0	11.0	10.0	46.5	10.5	50				
	12	MCC50M12*	10.0	21.0	14.0	12.0	51.5	13.2	50				
70 50 70	6	MCC70M6*	11.3	21.0	8.0	7.0	44.0	6.4	50	MCD70-6 (2)	MCD70-14 (1)	NA	NA
	8	MCC70M8*	11.3	21.0	9.0	8.0	46.0	8.4	50				
	10	MCC70M10*	11.3	21.0	11.0	10.0	50.0	10.5	50				
	12	MCC70M12*	11.3	22.0	14.0	12.0	55.0	13.2	50				
95 70 95	8	MCC95M8*	13.5	25.0	9.0	8.0	52.5	8.4	25	MCD95-6 (2)	MCD95-14 (1)	NA	NA
	10	MCC95M10*	13.5	25.0	11.0	10.0	56.5	10.5	25				
	12	MCC95M12*	13.5	25.0	14.0	12.0	61.5	13.2	25				
120 95 120	8	MCC120M6						6.4	25	MCD120-6 (2)	MCD120-14 (1)	NA	NA
	8	MCC120M8*	15.2	28.5	9.0	8.0	54.0	8.4	25				
	10	MCC120M10*	15.2	28.5	11.0	10.0	58.0	10.5	25				
	12	MCC120M12*	15.2	28.5	14.0	12.0	63.0	13.2	25				
150 120 150	16	MCC120M16*	15.2	28.5	18.0	16.0	71.0	17.0	25	MCD150-6 (3)	MCD150-14 (1)	NA	NA
	12	MCC150M12*	16.7	31.5	16.0	14.0	75.0	13.2	25				
185 150 185	16	MCC150M16*	16.7	31.5	19.0	17.0	81.0	17.0	25	MCD185-6 (3)	MCD185-14 (1)	NA	NA
	10	MCC185M10*	19.2	35.5	13.0	11.0	76.0	10.5	25				
	12	MCC185M12*	19.2	35.5	16.0	14.0	82.0	13.2	25				
	16	MCC185M16*	19.2	35.5	19.0	17.0	88.0	17.0	15				

**Color-Keyed®**

# Connectors for Metric Copper Conductors



Cond. Size sqmm	Ø Stud mm	T&B Cat. No.	Dimensions (mm)							Std. Pkg.	6 Ton	14 Ton	26 Ton	60 Ton
			low stranded / flexible	Øi	B	M	N	L	d		TBM62BSCR (Crimps)	BPLT14BSCRI (Crimps)	TBM26MCC (Crimps)	TBM60MCC (Crimps)
240	185	10	MCC240M10*	21.1	39.0	13.0	11.0	82.0	10.5	15	MCD240-6 (3)	MCD240-14 (2)	NA	NA
	240	12	MCC240M12*	21.1	39.0	16.0	14.0	88.0	13.2	15				
		16	MCC240M16*	21.1	39.0	19.0	17.0	94.0	17.0	15				
300	240	10	MCC300M10*	23.7	44.0	20.0	11.0	96.0	10.5	10	NA	MCD300-14 (3)	NA	NA
		12	MCC300M12*	23.7	44.0	20.0	14.0	99.0	13.2	10				
		16	MCC300M16*	23.7	44.0	22.0	19.0	106.0	17.0	10				
400	300	12	MCC400M10	27.0	51.0	22.0	19.0	113.0	13.2	5	NA	MCD400-14 (3)	MCD400-26 (2)	MCD400-60 (2)
		12	MCC400M12	27.0	51.0	22.0	19.0	113.0	13.2	5				
		16	MCC400M16	27.0	51.0	22.0	19.0	113.0	17.0	5				
500	400	16	MCC500M10						13.2	5	NA	NA	MCD500-26 (2)	MCD500-60 (2)
		16	MCC500M12						17.0	5				
		16	MCC500M16	30.3	56.5	22.0	19.0	117.0	17.0	5				
630	500	16	MCC630M16	33.4	61.6	22.0	19.0	128.0	17.0	6	NA	NA	MCD630-26 (2)	MCD630-60 (2)
		20	MCC630M20	33.4	61.6	24.0	23.0	134.0	21.0	6				
800	630	16	MCC800M16	38.0	72.0	24.0	19.0	141.0	17.0	3	NA	NA	NA	MCD800-60 (2)
		20	MCC800M20	38.0	72.0	24.0	23.0	145.0	21.0	3				
1000	800	16	MCC1000M16	44.0	80.0	24.0	19.0	158.0	17.0	2	NA	NA	NA	MCD1000-60 (2)
		20	MCC1000M20	44.0	80.0	24.0	23.0	162.0	21.0	2				



# Narrow Tongue Metric Lugs



Color-Keyed® narrow tongue metric lugs feature a contained tongue width.

Our lugs have been specifically developed for application with L.V. circuit breakers with reduced space requirements. The tongue width allows a quicker and easier installation.

Color-Keyed® narrow tongue metric lugs are manufactured from electrolytic copper tube.

The specific design of the barrel and dimensions create the best combination of mechanical strength and electrical conductivity.

Color-Keyed® narrow tongue metric lugs are annealed to guarantee optimum ductility and are electrolytically tin plated to avoid oxidation.

The barrel is provided with an internal chamfer for easy insertion of the conductor. The length allows easy positioning of the dies for proper crimping.

Cond. Size Flexible sqmm	Ø Stud mm	T&B Cat. No.	Dimensions (mm)							Std. Pkg.	6 Ton	14 Ton
			Øi	B	M	N	L	d	TBM62BSCR (Crimps)		BPLT14BSCRI (Crimps)	
10	5	MCCNT10M5	4.6	9.0	6.5	6.0	26.0	5.3	100	MCD10-6 (1)	MCD10-14 (1)	
16	5	MCCNT16M5	5.8	9.0	6.5	6.0	29.0	5.3	100	MCD16-6 (1)	MCD16-14 (1)	
25	5	MCCNT25M5	7.0	9.0	6.5	6.0	31.5	5.3	100	MCD25-6 (1)	MCD25-14 (1)	
35	6	MCCNT35M6	8.9	11.5	8.0	7.0	36.5	6.4	100	MCD35-6 (1)	MCD35-14 (1)	
50	6	MCCNT50M6	10.0	11.5	8.0	7.0	40.5	6.4	50	MCD50-6 (2)	MCD50-14 (1)	
70	6	MCCNT70M6	11.3	11.5	8.0	7.0	44.0	6.4	50	MCD70-6 (2)	MCD70-14 (1)	
95	8	MCCNT95M8	13.5	15.5	9.0	8.0	52.5	8.4	25	MCD95-6 (2)	MCD95-14 (1)	
120	8	MCCNT120M8	15.2	19.0	14.0	9.0	60.0	8.4	25	MCD120-6 (2)	MCD120-14 (1)	
	10	MCCNT120M10	15.2	19.0	14.0	9.0	60.0	10.5	25	MCD120-6 (2)	MCD120-14 (1)	
150	8	MCCNT150M8	16.7	19.0	18.0	9.0	70.0	8.4	25	MCD150-6 (3)	MCD150-14 (1)	
	10	MCCNT150M10	16.7	19.0	18.0	9.0	70.0	10.5	25	MCD150-6 (3)	MCD150-14 (1)	
185	10	MCCNT185M10	19.2	24.5	18.0	9.0	77.0	10.5	25	MCD185-6 (3)	MCD185-14 (1)	
240	10	MCCNT240M10	21.1	31.0	13.0	9.0	80.0	10.5	15	MCD240-6 (3)	MCD240-14 (2)	
	12	MCCNT240M12	21.1	31.0	16.0	12.0	86.0	13.2	15	MCD240-6 (3)	MCD240-14 (2)	
	16	MCCNT240M16	21.1	31.0	19.0	17.0	94.0	17.0	15	MCD240-6 (3)	MCD240-14 (2)	
300	12	MCCNT300M12	23.7	31.0	16.0	12.0	95.0	13.2	10	NA	MCD300-14 (3)	

**Color-Keyed®**

# Two-way Metric Slice Connectors



Color-Keyed® metric splice connectors are designed for joining low voltage conductors.

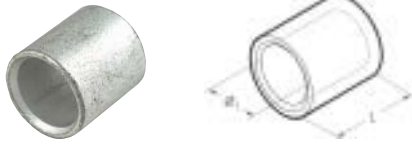
Made of electrolytic copper tube having the similar dimensions as the Color-Keyed® metric lugs, these connectors are also annealed and electrolytically tin plated.

They feature an internal chamfer at both ends. For easy insertion of the conductor, a center stop is provided to ensure correct positioning.

Cond. Size sqmm		T&B Cat. No.	Dimensions (mm)		Std. Pkg.	6 Ton	14 Ton	26 Ton	60 Ton
low stranded	flexible		Øi	B		TBM62BSCR (Crimps)	BPLT14BSERI (Crimps)	TBM26MCC (Crimps)	TBM60MCC (Crimps)
0.25+1.5	0.25+1.5	MCST1	1.8	15	100	NA	NA	NA	NA
1.5+2.5	1.5+2.5	MCST2	2.4	15	100	NA	NA	NA	NA
4+6	4+6	MCST6	3.6	22	100	MCD6-6 (1+1)	NA	NA	NA
10	10	MCST10	4.6	25	100	MCD10-6 (1+1)	MCD10-14 (1+1)	NA	NA
16	16	MCST16	5.8	27	100	MCD16-6 (1+1)	MCD16-14 (1+1)	NA	NA
25	25	MCST25	7.0	29	100	MCD25-6 (1+1)	MCD25-14 (1+1)	NA	NA
35	25+35	MCST35	8.9	33	100	MCD35-6 (1+1)	MCD35-14 (1+1)	NA	NA
50	35+50	MCST50	10.0	37	50	MCD50-6 (2+2)	MCD50-14 (1+1)	NA	NA
70	50+70	MCST70	11.3	39	50	MCD70-6 (2+2)	MCD70-14 (1+1)	NA	NA
95	70+95	MCST95	13.5	43	25	MCD95-6 (2+2)	MCD95-14 (1+1)	NA	NA
120	95+120	MCST120	15.2	47	25	MCD120-6 (2+2)	MCD120-14 (1+1)	NA	NA
150	120+150	MCST150	16.7	58	25	MCD150-6 (3+3)	MCD150-14 (1+1)	NA	NA
185	150+185	MCST185	19.2	64	25	MCD185-6 (3+3)	MCD185-14 (1+1)	NA	NA
240	185+240	MCST240	21.1	75	15	MCD240-6 (3+3)	MCD240-14 (2+2)	NA	NA
300	240	MCST300	23.7	90	10	NA	MCD300-14 (3+3)	NA	NA
400	300	MCST400	27.0	94	5	NA	MCD400-14 (3+3)	MCD400-26 (2+2)	MCD400-60 (2+2)
500	400	MCST500	30.3	98	6	NA	NA	MCD500-26 (2+2)	MCD500-60 (2+2)
600+630	500	MCST630	33.4	105	6	NA	NA	MCD630-26 (2+2)	MCD630-60 (2+2)
800	600	MCST800	38.0	112	3	NA	NA	NA	MCD800-60 (2+2)
1000	800	MCST1000	44.0	120	3	NA	NA	NA	MCD1000-60 (2+2)

**Color-Keyed®**

# Parallel Splices for Metric Copper Conductors



Made of electrolytic copper tube, having similar dimensions as other Color-Keyed® metric connectors, these parallel splices are annealed and electrolytically tin plated.

The splices feature an internal chamfer for easy insertion of the conductor.

Cond. Size sqmm		T&B Cat. No.	Dimensions (mm)		Std. Pkg.	6 Ton	14 Ton
low stranded	flexible		Øi	L		TBM62BSCR (Crimps)	BPLT14BSCRI (Crimps)
0.25+1.5	0.25+1.5	MCSP1	1.8	6.0	100	NA	NA
1.5+2.5	1.5+2.5	MCSP2	2.4	6.0	100	NA	NA
4+6	4+6	MCSP6	3.6	9.0	100	MCD6-6 (1)	NA
10	10	MCSP10	4.6	10.5	100	MCD10-6 (1)	MCD10-14 (1)
16	16	MCSP16	5.8	11.5	100	MCD16-6 (1)	MCD16-14 (1)
25	25	MCSP25	7.0	13.0	100	MCD25-6 (1)	MCD25-14 (1)
35	25+35	MCSP35	8.9	14.0	10	MCD35-6 (1)	MCD35-14 (1)
50	35+50	MCSP50	10.0	16.0	100	MCD50-6 (2)	MCD50-14 (1)
70	50+70	MCSP70	11.3	18.0	100	MCD70-6 (2)	MCD70-14 (1)
95	70+95	MCSP95	13.5	19.0	50	MCD95-6 (2)	MCD95-14 (1)
120	95+120	MCSP120	15.2	22.0	50	MCD120-6 (2)	MCD120-14 (1)
150	120+150	MCSP150	16.7	26.5	50	MCD150-6 (3)	MCD150-14 (1)
185	150+185	MCSP185	19.2	26.5	50	MCD185-6 (3)	MCD185-14 (1)
240	185+240	MCSP240	21.1	34.0	15	MCD240-6 (3)	MCD240-14 (2)

## Tools

### **TBM25MCC Mechanical Tool**

Compact, lightweight and easy to use. For uninsulated terminals and connectors sizes 22 to 8 AWG.

- High precision investment casting jaws made of special treated steel.
- Ratchet control to ensure precise crimping.
- Emergency device to allow for jaws opening at any stage of operation.
- Toggle action leverage to reduce operator effort.
- Automatic handles opening after crimping operation.
- Ergonomically designed molded plastic grips.

Dimensions: 9.21 x 2.87 x 0.67 in.-  
Weight: 1.15 lbs.



### **TBM26MCC Hydraulic Presshead** **Crimping force 25.8 tons**

A compact, lightweight, hydraulic presshead complete with a male automatic coupler to be connected to a hydraulic pump developing a maximum pressure of 10,000 psi.

The **TBM26MCC** head develops a crimping force of 25.8 tons and is suitable for installing crimp type electrical connectors on cables up to 1000 MCM. An optional adaptor is available enabling the head to utilize the semi-circular slotted dies which are common to most C shaped heads (12 tons) available on the market.

A sturdy steel carrying case complete with die compartment for holding up to 10 sets of dies is available on request.

Crimping force: 25.8 tons  
Max operating pressure: 10,000 psi  
Dimensions: length 12.4 in. width 4.7 in.  
Weight: 11.4 lbs



## **TBM60MCC Hydraulic Presshead** **Crimping force 58.4 tons**

A hydraulic presshead complete with a male automatic coupler to be connected to a hydraulic pump developing a maximum pressure of 10,000 psi.

The **TBM60MCC** head develops a crimping force of 58.4 tons and is suitable for installing crimp type electrical connectors on cables up to 2000 MCM. An optional adaptor is available enabling the head to utilize the semi-circular slotted dies which are common to most C shaped heads (12 tons) available on the market.

A sturdy steel carrying case complete with die compartment for holding up to 10 sets of dies is available on request.

Crimping force:	58.4 tons
Max operating pressure:	10,000 psi
Dimensions:	length 12 in. width 7.9 in.
Weight:	39.6 lbs



美国Thomas&Betts 通贝Sta-Kon端子  
授权经销商联系方式：

信德迈科技(北京)有限公司 CNMEC Technology Company  
地址：北京市朝阳区望京SOHO-T1-C座2115室  
邮编：100102  
\*Tel: 010-8428 2935 | \* Fax: 010-8428 8762  
\*手机：139 1096 2635  
\*电子邮件：sales@cnmec.biz  
主页：http://www.cnmec.biz

公司网址：www.cnmec.biz  
联系方式：sales@cnmec.biz  
信德迈公司公众账号：xindemai

