



C4 Series Ex d flameproof cable gland Unarmoured cable compound barrier gland



Approvals / Characteristics



Features

- A compound barrier cable gland for use with unarmoured cable
- Suitable for use in Zones 1, 2, 21, 22
- Flameproof Ex d and increased safety Ex e
- Available in brass, nickel plated brass and stainless steel 316
- Deluge proof
- Wide range of cable sizes

Certification and standards

Approved to: EN/IEC 60079-0, 60079-1, 60079-7, 60079-31

EC TYPE Examination Certificate:

CESI 13 ATEX 041X, IECEx CES 13.0014X

Ex d IIC Gb

Ex e IIC Gb

Ex tb IIIC Db

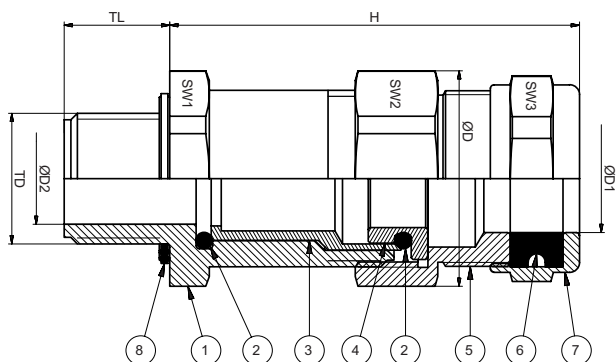
IP66

Temperature:

-40°C to +100°C

Ex d flameproof cable gland - C4 Series

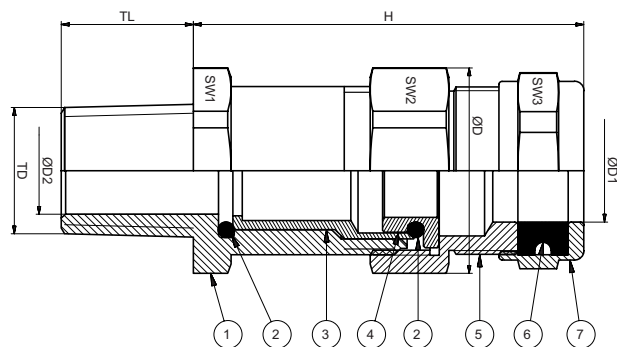
Dimensions



Brass Metric

- 1. Body
- 2. O-Ring
- 3. Pot
- 4. Pressurising Bushing
- 5. Upper Body
- 6. Upper Sealing Ring
- 7. Cap
- 8. Washer

Technical specifications



Brass NPT

- 1. Body
- 2. O-Ring
- 3. Pot
- 4. Pressurising Bushing
- 5. Upper Body
- 6. Upper Sealing Ring
- 7. Cap

Brass Part No.	Metric Thread	H	TL	Cable Gland Dimensions (mm)						Cable diameter range min-max (mm)	Torque (Nm)	
				ØD	ØD1	ØD2	SW1	SW2	SW3		SW2	SW3
EX04MC4	M20	62	16	33	16.5	14	30	30	30	8.5-16.0	30.0	28.0
EX05MC4	M25	62.8	16	37	21.5	18.5	34	34	34	16.0-21.0	45.0	27.0
EX06MC4	M32	68.5	16	45	26.5	25.6	42	42	40	16.0-26.0	65.0	32.0
EX07MC4	M40	75.1	16	66	41.5	33	50	60	60	29.0-41.0	75.0	75.0
EX08MC4	M50	82.7	16	77	48.5	43	60	70	75	33.0-48.0	90.0	75.0
EX09MC4	M63	96	16	77	52.5	52	70	70	74	36.0-52.0	100.0	75.0

Brass Part No.	NPT Thread	H	TL	Cable Gland Dimensions (mm)						Cable diameter range min-max (mm)	Torque (Nm)	
				ØD	ØD1	ØD2	SW1	SW2	SW3		SW2	SW3
EX04AC4	1/2"	62	21	33	16.5	14	30	30	30	8.5-16.0	30.0	28.0
EX05AC4	3/4"	62.8	21	37	21.5	18.5	34	34	34	16.0-21.0	45.0	27.0
EX06AC4	1"	68.5	26	45	26.5	25.6	42	42	40	16.0-26.0	65.0	32.0
EX07AC4	1 1/4"	75.1	28	66	41.5	33	50	60	60	29.0-41.0	75.0	75.0
EX08AC4	1 1/2"	82.7	28	77	48.5	43	60	70	75	33.0-48.0	90.0	75.0
EX09AC4	2"	96	28	77	52.5	52	70	70	74	36.0-52.0	100.0	75.0

*For nickel plated brass version, add N to the reference, e.g. EXN04MC4 for Metric / EXS04AC4 for NPT

**For stainless steel 316 version, add S to the reference, e.g. EXS04MC4 for Metric / EXS04AC4 for NPT