



Star Teck Extreme® (STE) series Range-taking glands for Teck and ACWU cable



Approvals / Characteristics



Features

- Removable armour stop is factory installed
- Built-in sealing device provides 360° seal even when enclosure surface is rough or uneven
- Tapered bushing to provide secure, tight fit while eliminating cupping in vertical installations
- Elastomeric collar ring extends cable diameter range
- Built-in jacket stripping gauge on each fitting
- Low profile gland nut for installation into tight spaces
- Designed to accommodate a broad range of cables

Certification and standards

UL Listed and CSA Certified for hazardous locations:

UL E38947

CSA 023086, AEX

Class I, Class II groups E, F & G

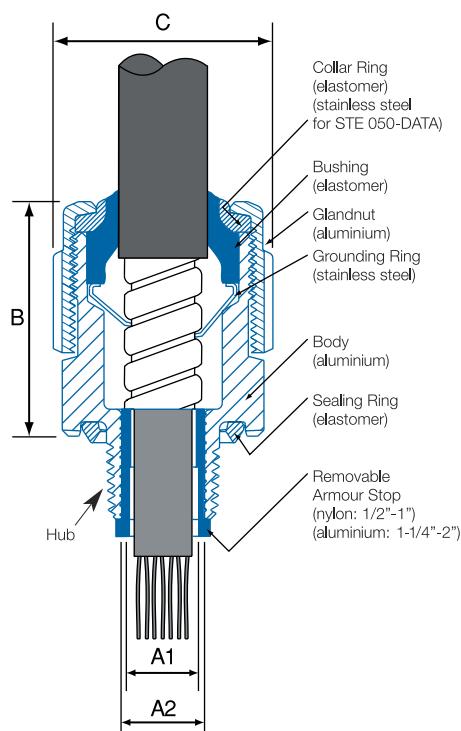
Class III Type 4, 4x or Type 6P

Exe II Zone 1

CSA certified for use in Hazardous location applications when used with a certified Class I sealing fitting.

Dimensions

Technical specifications



Aluminium Type	Hub Size	Strip Length	Gland Torque (lb - in)	Range Over Jacket (in)		Range Over Armour (in)		A1	A2	B* Overall (in)	C Max. O.D. (in)
				Min.	Max.	Min.	Max.	Throat Dia. Min (in) w/ Armour Stop	Throat Dia. Min (in) w/o Armour Stop		
STE050-DATA	1/2"	7/8"	300	0.500	0.700	0.410	0.610	0.375	0.515	2.10	1.36
STE050	1/2"	1 1/4"	300	0.600	0.985	0.520	0.895	0.505	0.617	2.52	1.63
STE075	3/4"	1 1/4"	600	0.860	1.205	0.780	1.125	0.645	0.819	2.84	2.08
STE100	1	1 1/4"	700	0.950	1.375	0.870	1.295	0.785	1.044	3.02	2.30
STE125	1 1/4"	1 3/4"	1000	1.150	1.625	0.990	1.465	0.970	1.250	4.01	2.82
STE150	1 1/2"	1 3/4"	1200	1.440	1.965	1.280	1.805	1.260	1.562	4.29	3.25
STE200	2	1 3/4"	1600	1.825	2.375	1.665	2.215	1.645	1.995	4.12	3.60
STE250	2 1/2"	2 1/2"	1600	2.265	2.840	2.105	2.680	2.075	2.424	5.67	4.75
STE300	3	2 1/2"	1600	2.670	3.270	2.545	3.145	2.531	2.890	5.78	5.40
STE350	3 1/2"	2 1/2"	1600	3.220	3.870	3.090	3.640	3.065	3.414	5.74	5.90
STE400	4	2 1/2"	1600	3.665	4.340	3.550	4.225	3.525	3.914	5.79	6.40

Note: To order fittings complete with aluminium BondStar locknut and lug, add the suffix "GRL" to the catalogue number, e.g. STE050GRL

*Approximate dimension before installation, **For Steel version, add S to the reference, e.g. STE050S

Star Teck Extreme® (STE)

Star Teck Extreme® (STE) cable glands are designed to accommodate a broad range of cables and each hub size overlaps the adjacent hub range, thereby minimizing the possibility of mismatched cables and fittings in the field. Available in hub sizes from 1/2 to 4 inches, Star Teck Extreme fittings will terminate outer jacket diameters from 0.5 to 4.34 inches