

## Type 5509 Differential Pressure Gauge



- $\pm 2.5\%$  full scale accuracy
- *Stainless steel case*
- *316 stainless steel wetted parts*
- *Inches of water differential ranges*
- *Static pressure for ranges 160IW & lower – 145 psi above 160IW – 360 psi*
- *External zero adjust*
- *Available with open or solid front case styles*
- *Optional liquid-filled case*
- *4" (100mm) or 6" (160mm) dial sizes*

The Ashcroft® Type 5509 differential pressure gauge comes standard with 316SS wetted parts. This rugged gauge features an external zero adjust feature standard. Static pressure up to 360 psi.

### PRODUCT SPECIFICATIONS

Model Number:	5509
Accuracy:	$\pm 2.5\%$ full scale
Ranges:	0-10 IWD (inches of water differential) to 400 psid
Static Pressure:	From 10 IWD to 3 psi – static pressure 145 psi 5 psi and above – static pressure 400 psi
Dial Size:	4" (100mm) or 6" (160mm) Zero adjust at top of case
Case Material: front	304 stainless steel open case (solid front optional)
Ring:	Bayonet ring
Window:	Shatterproof glass
Dial:	Aluminum, white background, black figures and intervals.
Pointer:	Black painted aluminum with external adjust feature standard (to 25% of range)

Ingress Protection:	IP54 (dry) IP65 (liquid filled) IP65 optional (dry case XLJ)
Diaphragm ranges Material:	316 stainless steel for 10 psi and below. High strength cobalt alloy (Duratherm 600) for ranges 15 psi and above
Housing Material:	316 stainless steel with a Viton® O-ring
Mounting:	Stem, wall or pipe
Connection Size:	¼, ½ NPT
Connection Location:	Lower

### OPTIONAL FEATURES

Glycerin fill - Standard	(L)
Silicone fill - Optional	(XGV)
Weatherproof/Hermetically sealed case (IP65)	(XLJ)
Wall mounting bracket	(XFW)
316 SS case and ring	(XYW)
Pipe mounting bracket	(XTM)
3-way manifold <sup>(1)</sup>	(X43)
Polycarbonate window	(XPD)
Solid front	(S)
Calibration chart	(C4)
Oxygen cleaning	(6B)
Stainless steel tag-wired	(NH)
Stainless steel tag-bonded	(MN)

### Electric Contacts

Single Setpoint – Close High Contact	QH
Open Low Contact	QL
Dual Setpoint – High & Low Contact	ED
Double High Contact	EE
Double Low Contact	EF

Electric contacts are available as an option on both dry and liquid filled gauges.

<sup>(1)</sup> Requires additional piping (not supplied).  
Viton® is a registered trademark of DuPont Co.

### HOW TO ORDER (Typical example)

	<b>10</b>	<b>5509</b>	<b>S</b>	<b>—</b>	<b>L</b>	<b>02L</b>	<b>XXX</b>	<b>0/100 psid</b>
Dial Size: 100mm (10), 160mm (16)	_____							
Case Type: 5509	_____							
Diaphragm, Housing, Socket: (S) 316L SS	_____							
Solid Front: (S) otherwise leave blank	_____							
Liquid Filled: (L) leave blank if dry	_____							
Connection Size, Location: ¼ (02), ½ (04), Lower (L)	_____							
Options:	_____							
Range: 0/100 psid	_____							

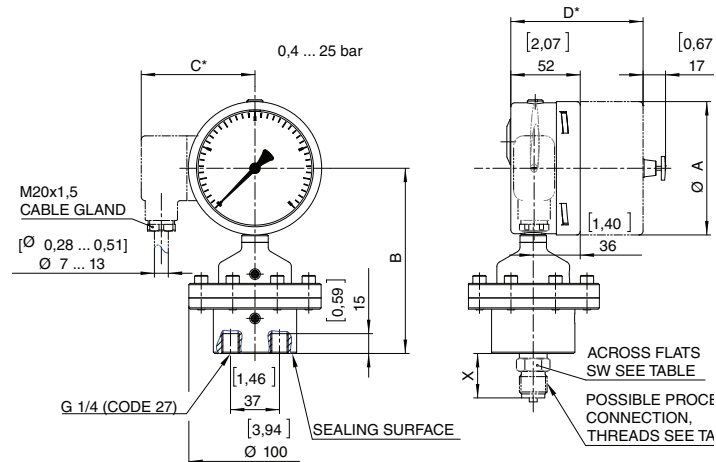
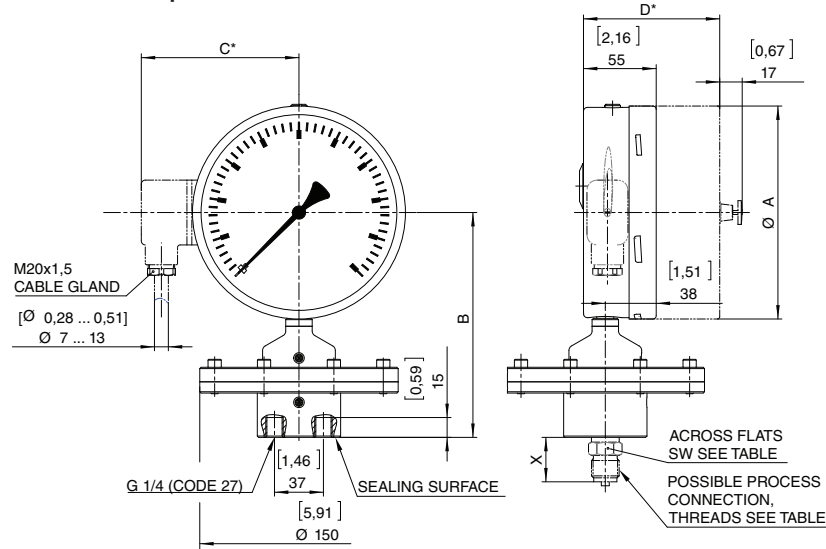
## Type 5509 Differential Pressure Gauge

**STANDARD RANGE TABLE\***

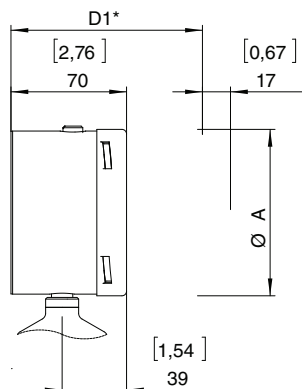
psid	mBar	bar	I.W.D.
3	25	0.6	10
5	40	1.0	30
10	60	1.6	60
15	100	2.5	100
30	160	4	200
60	250	6	
100	400	10	
160		16	
200		25	
300			
400			

\*Other ranges on application

### Dimensions - Open Front Case



### Dimensions - Solid Front Case



THREADS	CODE	X	SW
1/4 -18 NPT Male; DIN EN 837	02	30 [1,18]	19 [0,75]
1/2 -14 NPT Male; DIN EN 837	04	37 [1,46]	22 [0,87]
G1/4B Male; DIN EN 837	13	25 [0,98]	19 [0,75]
G1/2B Male; DIN EN 837	15	34 [1,34]	22 [0,87]
1/4 -18 NPT Female	25	20 [0,79]	19 [0,75]
1/4 -18 NPT Female	50	26 [1,02]	27 [1,06]
G1/2B Female; DIN EN 837	51	26 [1,02]	27 [1,06]

DIAL SIZE	A	B	C*	D*	D1*
100	101[3,98]	140[5,51]	86[3,39]	100[3,94]	116[4,57]
160	161[6,34]	170[6,69]	120[4,72]	102[4,02]	118[4,65]

\*With integrated contacts