

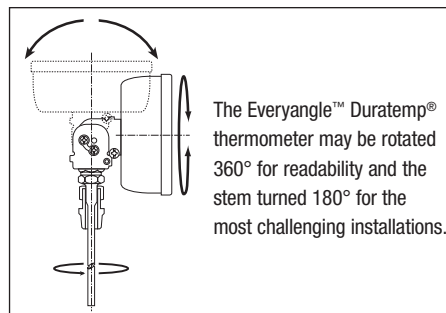
## Model C-600B Duratemp® Thermometer



### FEATURES

- Exclusive movementless design resists shock and vibration – no gears to wear out – or misalign resulting in increased instrument life
- Gas-operated molecular sieve
- Mercury free
- 1% full-span accuracy
- Everyangle Duratemp® thermometer can be rotated 360° and can be angled 180°, ensuring readability in any installation
- Maxivision® dial
- Limited five-year warranty

The direct-reading thermometer (stainless steel case only) offers the same unique features of the Ashcroft® Duratemp® remote-reading thermometer for those critical applications where only a direct-connected instrument can be used. Available in 4½" dial size.



### PRODUCT SPECIFICATIONS

- Model:** C-600B-01  
**Accuracy:** ±1% of span  
**Case Style:** Stainless steel  
**Dial Size:** 4½" Maxivision linear anti-parallax dial black markings on a white dial  
**Window:** Glass, shatterproof glass and plastic are optional.
- Mounting and Connection:** Direct mount, fixed ½ union connection  
**Ambient Temperature:** 160°F/71°C  
**Stem Material:** 316 Stainless steel  
**Stem Length:** 6", 9", 12", 15", 18", 24", 30" and 36"  
**Ranges:** -320/200°C-400/1200°F  
 -200/100°C-200/650°C  
 Dual scale ranges available  
**Over Range:** 125% of span  
**Product Options:**  
 Dial Markings **XDM**  
 Externally adjustable red set hand **XEO**  
 Externally adjustable **XEP**  
 Externally adjustable min. pointer **XEQ**  
 Non-glare glass **XNG**  
 Paper Tag **XNN**  
 Stainless steel tag **XNH**  
 Plastic Window **XPD**  
 Shatterproof glass **XSG**  
 Stationary Red Hand Set **XSH**

**Note:** Thermowells must be used on any application where the bulb of the thermometer may be exposed to pressure, corrosive fluids, or velocity. Additionally, the use of a thermowell permits instrument interchangeability or recalibration without shutting down the process.

### HOW TO ORDER

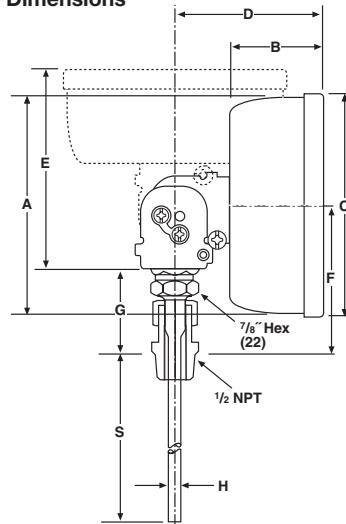
**C-600B** – **01** – **AB**

Type	Table 1		Table 2			
C-600B	CODE	STEM LENGTH	CODE	SINGLE RANGES	CODE	DUAL RANGES
D I R E C T  M O U N T E D	01	Semirigid Stainless Steel 6"	AB	-320/200°F	CE	0/120°C 20/240°F
		Semirigid Stainless Steel 9"	AE	-100/100°F		
	02	Semirigid Stainless Steel 12"	AG	-40/180°F	CF	0/300°C 50/550°F
		Semirigid Stainless Steel 15"	AK	20/240°F		
	03	Semirigid Stainless Steel 18"	AL	50/300°F	DR	10/150°C 50/300°F
		Semirigid Stainless Steel 24"	AN	50/550°F		
	04	Semirigid Stainless Steel 30"	AR	50/750°F*	DT	-40/80°C -40/180°F
		Semirigid Stainless Steel 36"	AT	400/1200°F*		
			AY	-200/100°C		
			BL	-80/40°C		
			BN	-40/80°C		
			BS	0/120°C		
			BT	10/150°C		
			BU	0/300°C		
			BW	0/400°C*		
			BJ	200/650°C*		

\*For these ranges a minimum "S" dimension (stem length) of 9 inches is required. This removes case from exposure to high temperature which may damage the instrument.

## Model C-600B Duratemp<sup>®</sup> Thermometer

### Case Dimensions



Dial Size	A	B	C	D	E	F	G	H
4½	4½/₃₂ (120)	2½/₁₆ (52)	5½/₃₂ (128)	3¼/₁₆ (81)	4¼/₁₆ (122)	3 (76)	1 (25)	¾ (10)

NOTE: Dimensions in inches, ( ) are millimeters.

#### FOR TEMPERATURES 750°F AND ABOVE USE WELL WITH 3" LAG

S	Well Lag	U-Dimension (Insertion Length)
9 (229)	3	4½ (114)
12 (305)	3	7½ (191)
15 (381)	3	10½ (268)

#### FOR TEMPERATURES BELOW 750°F

S	U-Dimension (Insertion Length)
6 (152)	4½ (114)
9 (229)	7½ (191)
12 (305)	10½ (268)