

TC RTC OTC



TUBE CONNECTORS – STRAIGHT TUBE SINGLE MOTION/HIGH SPEED LEAK TEST TOOL

Pressure to 650 PSI (44 BAR)

SPECIAL APPLICATIONS:
Don't See the Size
or Configuration
You Want?
Contact Us.

This self-sealing, automatic locking device works on a push-on, pull-off principle. Instantly connects and seals pressure lines.

TC Tube Connectors

1/8" to 2-1/4" O.D. (3 to 57 mm)

The **TC Tube Connectors** were originally developed for production line use on refrigeration coils, but have also earned overwhelming acceptance for use on compressor units, heat exchangers and any other assemblies which require a quick, easy and efficient way to attach pressure lines to straight end tubing.

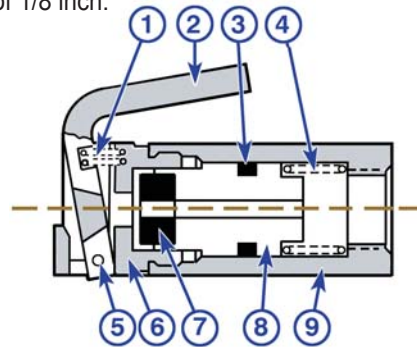
PART material

- | | |
|--|------------------------------|
| ① LEVER SPRING stainless steel | ⑥ HEAD anodized aluminum |
| ② LOCK LEVER hardened and plated steel | ⑦ TUBE SEAL neoprene |
| ③ QUAD RING neoprene | ⑧ PLUNGER anodized aluminum |
| ④ COMPRESSION SPRING stainless steel | ⑨ CYLINDER anodized aluminum |
| ⑤ LEVER PIN hardened and plated steel | |

RTC Tube Connectors

For short length tubes 1/4" to 1" O.D. (7 to 25 mm)

The **RTC Tube Connectors** have been specially designed for use in applications where only a short length of tube is available for engagement. Just attach the connector to the service line, depress the lock lever and push on over the tubing, until the spring loaded seat and plunger assembly is depressed a minimum of 1/8 inch.

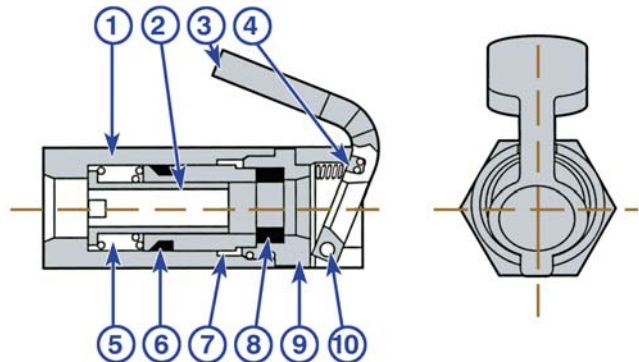


OTC with Outside Diameter Type Seal 0.060" to 3/8" O.D. (2 mm to 9 mm)

The **OTC Tube Connectors** have been designed specifically for use in those applications where there are advantages in making the tube connector's seal on the outside diameter of the tube – for example, where connection has to be made to smooth tubes which do not have square cut ends. They feature "Full Flow" design with an internal tube stop. A seal is compressed around the tube by the plunger as it is actuated by the test pressure. In 1500 Series OTC connectors for capillary tubes, a leak-free seal is created by an O-ring which is compressed around the tube by the plunger as it is actuated by the test pressure. A lock lever grips the tube for positive hold.

PART material

- | | |
|--|-----------------------------|
| ① CYLINDER anodized aluminum | ⑥ QUAD RING neoprene |
| ② STOP SLEEVE stainless steel | ⑦ PLUNGER anodized aluminum |
| ③ LOCK LEVER hardened and plated steel | ⑧ SEAL neoprene |
| ④ LEVER SPRING stainless steel | ⑨ HEAD anodized aluminum |
| ⑤ COMPRESSION SPRING stainless steel | ⑩ LEVER PIN stainless steel |



TC, RTC & OTC Connectors

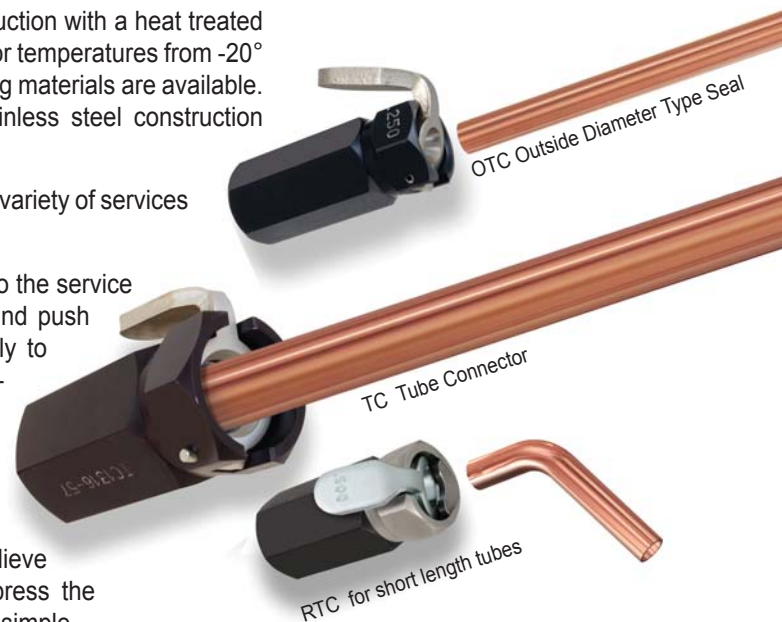
Standard **TC**, **RTC** and **OTC Connectors** are of aluminum construction with a heat treated and plated steel lock lever. Neoprene seals and packing, suitable for temperatures from -20° to 250° F (-29° to 121° C) are standard, but other seal and quad ring materials are available. Also available are STC, SRTC and SOTC connectors with stainless steel construction (except the lock lever).

Tuthill TC, RTC and OTC Connectors are recommended for a wide variety of services with air, water, and most refrigerants.

Connection to tubing is instantaneous. Just attach the connector to the service line, depress the lock lever and push on over tubing, pressing firmly to the stop position. This automatically locks the tube into place for a leak-free seal, ready for pressure testing or charging with refrigerant.



To disconnect the tubing, relieve the test pressure and then press the lock lever and pull off. It's that simple.



Part Number*	Tube Size	Minimum Tube Length	Connector Dimensions		
			Hex	Length	Inlet
TC SERIES					
TC1300-57*	1/8"	1.25"	0.88"	2.38"	1/4" NPT
TC1301-57*	3/16"				
TC1302-57	1/4"				
TC1303-57	5/16"	1.00"	0.88"	2.38"	1/4" NPT
TC1304-57	3/8"				
TC1305-57	1/8" pipe	1.25"	1.25"	3.00"	1/4" NPT
TC1306-57	7/16"				
TC1307-57	1/2"				
TC1308-57	1/4" pipe				
TC1309-57	9/16"				
TC1310-57	5/8"				
TC1311-57	3/8" pipe				
TC1312-57	11/16"				
TC1313-57	3/4"				
TC1314-57	13/16"				
TC1315-57	1/2" pipe				
TC1316-57**	7/8"				
TC1317-57**	15/16"	1.88"	2.25"	5.06"	1/2" NPT
TC1000-57	1"				
TC1319-57	3/4" pipe				
TC1321-57	1-1/8"				
TC1322-57	1-3/16"				
TC1323-57	1-1/4"				
TC1324-57	1-5/16"				
TC1325-57	1" pipe				
TC1326-57**	1-3/8"				
TC1327-57**	1-1/2"				
TC1328-57	1-5/8"	2.25"	3.00"	6.13"	3/4" NPT
TC1329-57	1-1/4" pipe				
TC1332-57	1-1/2" pipe				
TC1333-57	2"				
TC1334-57**	2-1/8"				
TC1335-57**	2-1/4"				

Part Number*	Tube Size	Minimum Tube Length	Connector Dimensions		
			Hex	Length	Inlet
MTC SERIES					
MTC5060-57	6 mm	25 mm	0.88"	2.38"	1/4" NPT
MTC5070-57	7 mm				
MTC5090-57	9 mm				
MTC5100-57	10 mm	32 mm	1.25"	3.00"	1/4" NPT
MTC5120-57	12 mm				
MTC5140-57	14 mm				
MTC5150-57	15 mm				
MTC5160-57	16 mm				
MTC5180-57	18 mm	38 mm	1.75"	3.88"	3/8" NPT
MTC5200-57	20 mm				
MTC5220-57	22 mm				
MTC5280-57	28 mm	48 mm	2.25"	5.06"	1/2" NPT
MTC5540-57***	54 mm	57 mm	3.00"	6.13"	3/4" NPT
RTC SERIES					
RTC1602-57	1/4"	0.69"	0.88"	2.38"	1/4" NPT
RTC1603-57	5/16"				
RTC1604-57	3/8"				
RTC1605-57	1/8" pipe	0.88"	1.25"	3.00"	1/4" NPT
RTC1606-57	7/16"				
RTC1607-57	1/2"				
RTC1608-57	1/4" pipe				
RTC1609-57	9/16"				
RTC1610-57	5/8"				
RTC1611-57	3/8" pipe	1.00"	1.75"	3.88"	3/8" NPT
RTC1613-57	3/4"				
RTC1616-57	7/8"				
RTC1000-57	1"	1.25"	2.25"	5.06"	1/2" NPT
OTC SERIES					
OTC2502-57	1/4"	1.00"	0.88"	2.38"	1/4" NPT
OTC2503-57	5/16"				
OTC2504-57	3/8"				
OTC1500-57	.060 - .063"	1.00"	0.88"	2.38"	1/4" NPT
OTC1501-57	.072 - .078"				
OTC1502-57	.081 - .087"				
OTC1503-57	.093 - .099"				
OTC1504-57	.106 - .112"				

* Seal on O.D. of tube

** Pressures to 500 PSI only

*** Pressures to 300 PSI only

♦ When ordering, please specify part number, tube O.D., minimum available length, test pressure, media and media temperature. Tolerance of tube O.D. must be +.003/-0.005 maximum.

▼ For OTC: Tolerance of tube O.D. must be +.002/-0.002 maximum.