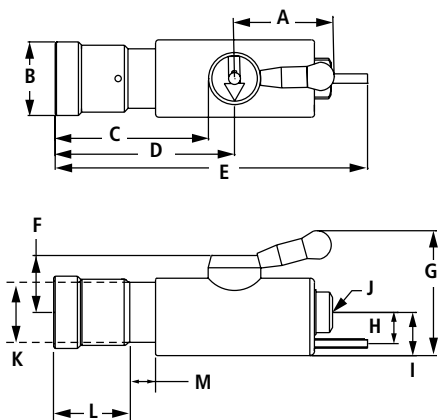


CW3600/CW5000 Series Self-Service Hydrogen Nozzle

OPW CW Series Self-Service Nozzles are designed for high-pressure, high-flow hydrogen fueling systems. Applications include quick-fill, self-service fueling nozzles of automobiles, light trucks, vans and buses. **Must be used only in conjunction with OPW LW5000 or LW3600 SAE Profile Hydrogen Receptacles.**



Dimensions

	in.	mm
A	2.625	66
B	1.9375	49
C	4	102
D	4.6875	119
E	8.1875	208
F	1.5	38
G	3.25	83
H	0.8125	21
I	1.125	29
J	Straight Thread O-Ring Boss Port SAE J1926-6 (9/16" - 18 UNF-2B)	
K	1.625	40
L	2.01	51.2
M	0.72	18.4

Materials

Body: 316L stainless steel with stainless steel jaws

Internal Components: 316L stainless steel

Seals: Specially formulated polymers and elastomers specific to high-pressure hydrogen applications.



CW3600/CW5000

Features

- ◆ **High-Flow/Fast-Fill Capability** - provides quick fueling for all types of vehicles. Internal seat designs and materials have been specially selected for high-flow hydrogen fueling.
- ◆ **User-Friendly Single Action Operation** - engage nozzle and receptacle with a 180° rotation of the handle. This secures nozzle jaws onto receptacle, activating a system of three internal valves that regulate fuel flow. The nozzle will not dispense gas until securely engaged onto matching receptacle. When fueling is complete, rotate the handle back through 180° to the disconnect position to automatically stop the flow of gas and release the nozzle from the receptacle.
- ◆ **Ergonomic Design** - one simple and convenient motion ensures connection and dispensing by all users. Insulated jacket protects operator's hands.
- ◆ **Internal 0.2 mm Filter** - filter protects from impurities in the high velocity gas stream that can damage the nozzle and receptacle seals as well as components in the vehicle fuel system.
- ◆ **Directed Vent** - captures the gas vented at disconnect and directs it out of the nozzle via a 1/4" stainless steel vent tube (-4 compression adaptor required) which can be piped to a remote venting location or back to a compressor. Capturing vent gas is environmentally desirable by agencies

such as the EPA and provides an added measure of safety by minimizing the amount of gas present at the filling site.

- ◆ **Jaw-Lock Technology** - designed specifically for the frequent coupling and uncoupling of high-pressure gas connections of hydrogen fueling. Contact pressures are distributed over the entire beveled edge of the receptacle, thus reducing long-term wear.
- ◆ **Dedicated Coupling Profile** - the jaw and receptacle profiles are designed to eliminate the chance of misconnection to any other form of fuel such as CNG. This nozzle will only couple securely to an OPW LW Series Hydrogen Receptacle.
- ◆ **Durable Construction** - heavy-duty 316 stainless steel construction provides unmatched corrosion resistance in this harsh and difficult refueling environment.
- ◆ **Individually Leak Tested and Inspected with Traceable Serial Numbers**

Specifications:

Min. Flow Rate: 2000 SCFM @ 3600 psid

Temperature Range: -40° F to 185° F
(-40° C to 85° C)

Cv: 0.48

MAWP: 6250 psi (430 bar)

Ordering Specifications

Product #.	Inlet Thread Size	Service Pressure		Weight
CW3600	SAE-6, 9/16" -18 Female	3600 psi	250 bar	3.35 lbs. (1.52 kg)
CW5000	SAE-6, 9/16" -18 Female	5000 psi	345 bar	

Connects to LW3600, LW500, J2600 SAE profiles

Installation & Operating Instructions

Installation and operating instructions are included with all new and rebuilt products; however, they may also be ordered separately

Instruction Sheet Item #	Item Description
207943	FLB-1000, FLB-5000 Breakaway Installation & Operating Instructions
207732	NGVLB Breakaway Installation & Operating Instructions
H14914M	ILB-1, ILB-5 Breakaway Installation & Operating Instructions
201494	ILB-1, ILB-5 Breakaway Repair Kit Instructions
H13741M	CT1000, CT5000 Series Nozzle Installation & Operating Instructions
001563	CT1000 and CT5000 Series Nozzle Jaw Replacement Instructions
H13857M	CC200 Series Nozzle Installation & Operating Instructions
H13795M	CC300 Nozzle Installation & Operating Instructions
H13742M	CC600 Series Nozzle Installation & Operating Instructions
001562	CC600 Series Nozzle Jaw Replacement Instructions
H14076M	CC6000 Nozzle Installation & Operating Instructions
H13744M	LB30, LB36, LD, LE, CL40 and CL4078 Receptacles Installation Instructions
H13747M	LB3078, LB3678 & CL5078 Receptacles Installation Instructions
H14441PA	CL50 Series Receptacle Installation Instructions
H13745M	CL5000, CL5016 Receptacle Installation Instructions

Part Kits and Factory Rebuild Service

OPW is pleased to offer nozzle and breakaway rebuild services. Rebuilds include (where applicable) replacement of all internal seals, O-rings, valves, jaws, handle, protective sleeves, spring supports, guide rings and vent tubes. **In addition, all OPW Factory rebuilt products are 100% full-function tested before being redeployed.**

KIT Item #	Description	
207983	FLB-1000 STANDARD DUTY FILL-LINE BREAKAWAY REPAIR KIT	OPW Factory Parts. Labor by Authorized Field Technician
207739	FLB-5000 HEAVY DUTY FILL-LINE BREAKAWAY REPAIR KIT	
A157	ILB-1 INLINE BREAKAWAY CNG & H2 NGV-1 REPAIR KIT	
A155	ILB-5 INLINE BREAKAWAY HD/TRUCK REPAIR KIT	
A156	CT1000SS JAW REPLACEMENT KIT	
A158	CT1000LS JAW REPLACEMENT KIT	
A159	CT1000P36S JAW REPLACEMENT KIT	
A152	CT5000S JAW REPLACEMENT KIT	
A153	CC600 SS JAW REPLACEMENT KIT	

REPAIR Item #	Description	
FLB-1000 REPAIR	FLB-1000 STANDARD DUTY FILL-LINE BREAKAWAY REBUILD	OPW Factory Parts, Labor & Full-Function Testing by OPW Lab Technician
FLB-5000 REPAIR	FLB-5000 HEAVY DUTY FILL-LINE BREAKAWAY REBUILD	
ILB-1 REPAIR	ILB-1 INLINE BREAKAWAY CNG & H2 NGV-1 REBUILD	
ILB-5 REPAIR	ILB-5 INLINE BREAKAWAY HD/TRUCK REBUILD	
CT1000SS REPAIR	CT1000SS NOZZLE TYPE 1 CLASS A (P30) REBUILD	
CT1000LS REPAIR	CT1000LS NOZZLE TYPE 1 CLASS A (P30) REBUILD	
CT1000P36S REPAIR	CT1000P36S NOZZLE TYPE 1 CLASS A (P36) (SST JAWS) REBUILD	
CT5000S REPAIR	CT5000S TYPE 1 HEAVY DUTY BUS/TRUCK NOZZLE REBUILD	
BDN REPAIR	BDN DEFUELING NOZZLE CNG (P30/P36) REBUILD	
CH1000 REPAIR	CH2000 FUEL NOZZLE TYPE 1, CLASS A (P36) REBUILD	
CH2000 REPAIR	CH2000 FUEL NOZZLE TYPE 1, CLASS A (P36) REBUILD	
CW3600 REPAIR	CW3600 SAE HYDROGEN NOZZLE TYPE 1 CLASS A (P36) REBUILD	
CW5000 REPAIR	CW5000 SAE HYDROGEN NOZZLE TYPE 1 CLASS A (P50) REBUILD	