

1600ANF

The OPW 1600ANF Series Adaptors are designed specifically for applications using an ASME flange.

The OPW 1673ANF, 1674ANF and 1676ANF Dry Disconnect Adaptors keep hazardous chemicals and vapors in-line and out of the environment.

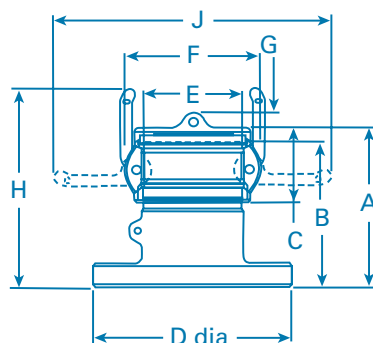
Rugged, yet quick and easy to install, the 1600ANF Series is ideal for closed-loop loading conversions.

Benefits

- **Spill Prevention** – The poppet-actuated design can only be opened with a Kamvalok® coupling; designed to provide a tight seal when closed.
- **Easy Access Connection** – Provides easy connection access for tank cars, tank trucks, intermodal tanks, and in-process operations.
- **Connects with D2000™ Actuating Coupler or Kamvalok® 1700 Series Dry Disconnect Couplings.**
- **Easy Cleaning** – Can be quickly disassembled.
- **Specifically designed for applications using ASME flanges.**

Features

- **Heavy-Duty Construction** – 316 Stainless Steel.
- **Available with raised face flange or optional tongue and groove design.**
- **Spring-Loaded Poppet Design** – Assures fast closing and tight seal.
- **Available in a Range of Seals** – Teflon®, EPT, Chemraz®, Buna-N and Viton®.
- **Available in 1 1/2", 2", and 3" sizes.**



1673ANF and 1673ANFT

SIZE IN INCHES (1672ANF)

	1/2 x 2"	2"	3"
A Overall Length	4-47/64"	4-29/32"	6-9/16"
B Length of Body	4-13/32"	4-31/64"	6-1/8"
C Length of Cap	2-5/64"	2-1/4"	2-5/16"
D Diameter of Flange	6"	6"	7-1/2"
E Diameter of Body	2-1/2"	3"	4-45/64"
F Width of Cap	3-9/16"	4-1/16"	5-33/64"
G Hght of Chain Lug	1/2"	7/16"	1/2"
H Length with Arms	6-1/32"	6-3/32"	8-1/8"
Number of Bolt Holes	4	4	4
Diameter of Bolt Holes	3/4"	3/4"	3/4"
Diameter of Bolt Circle	4-3/4"	4-3/4"	6"
J Max width of Arms	7-1/8"	8"	11-3/32"

SIZE IN INCHES (1672ANFT)

	2"	3"
A Overall Length	5-5/32"	6-13/16"
B Length of Body	4-47/64"	6-6/8"
C Length of Cap	2-1/4"	2-5/16"
D Dia. of Flange	6-1/2"	8-1/4"
E Dia. of Body	2-63/64"	4-45/64"
F Width of Cap	4-1/16"	5-33/64"
G Height of Chain Lug	7/16"	1/2"
H Length with Arms	6-21/64"	8-3/8"
Number of Bolt Holes	8	8
Diameter of Bolt Holes	3/4"	7/8"
Diameter of Bolt Circle	5"	6-5/8"
J Maximum width of Arms	8-9/32"	11-3/32"

Ordering Specifications

Stainless Steel Adaptors - 150 Lb. ASME RF Flange

Prod. No.	Size/Description
1672ANF-SS15	1-1/2" Viton® Seal, SST Adaptor* w/2" Flange
1672ANF-SS20	2" Viton® Seal, SST Adaptor* w/2" Flange
1672ANF-SS30	3" Viton® Seal, SST Adaptor* w/3" Flange
1673ANF-SS1515	1-1/2" Teflon® Silicone Seal, SST Adaptor* w/1-1/2" Flange
1673ANF-SS15	1-1/2" Teflon® Silicone Seal, SST Adaptor* w/2" Flange
1673ANF-SS20	2" Teflon® Silicone Seal, SST Adaptor* w/2" Flange
1673ANF-SS30	3" Teflon® Silicone Seal, SST Adaptor* w/3" Flange
1674ANF-SS15	1-1/2" EPT Seal, SST Adaptor* w/2" Flange
1674ANF-SS20	2" EPT Seal, SST Adaptor* w/2" Flange
1674ANF-SS30	3" EPT Seal, SST Adaptor* w/3" Flange
1676ANF-SS15	1-1/2" Chemraz® Seal, SST Adaptor* w/2" Flange
1676ANF-SS20	2" Chemraz® Seal, SST Adaptor* w/2" Flange
1676ANF-SS30	3" Chemraz® Seal, SST Adaptor* w/3" Flange

Prod. No.	Size/Description
1677ANF-SS15	1-1/2" Teflon® Viton® Seal, SST Adaptor* w/2" Flange
1677ANF-SS20	2" Teflon® Viton® Seal, SST Adaptor* w/2" Flange
1677ANF-SS30	3" Teflon® Viton® Seal, SST Adaptor* w/3" Flange
1679ANF-SS15	1-1/2" Viton®-B Seal, SST Adaptor* w/2" Flange
1679ANF-SS20	2" Viton®-B Seal, SST Adaptor* w/2" Flange
1679ANF-SS30	3" Viton®-B Seal, SST Adaptor* w/3" Flange

Stainless Steel Adaptors - 300 Lb. ASME Tongue & Groove Flange

Prod. No.	Size/Description
1674ANFT-SS20	2" EPT Seal, SST Adaptor* w/2" Flange
1674ANFT-SS30	3" EPT Seal, SST Adaptor* w/3" Flange
1676ANFT-SS20	2" Chemraz® Seal, SST Adaptor* w/2" Flange
1676ANFT-SS30	3" Chemraz® Seal, SST Adaptor* w/3" Flange

IMPORTANT: OPW products should be used in compliance with applicable federal, state, provincial, and local laws and regulations. Product selection should be based on physical specifications and limitations and compatibility with the environment and materials to be handled. OPW MAKES NO WARRANTY OF FITNESS FOR A PARTICULAR USE. All illustrations and specifications in this literature are based on the latest product information available at the time of publication. OPW reserves the right to make changes at any time in prices, materials, specifications and models and to discontinue models without notice or obligation.