



DOWN MOUNT PRODUCTS

Catalog 4518/USA
December 2005



DM3000 Series

Miniature Pressure Regulator ANSI/ISA 76.00.02.2002

Parker Hannifin Corporation's Veriflo Division presents the DM3000 Series pressure regulator. The DM3000 is a miniature threadless type, non-tied diaphragm regulator with a footprint designed for the ANSI/ISA 7600.02.2002 Modular Surface Mount.

By design, the DM3000 allows faster purge times and extended seat life. The DM3000 provides precise gas regulation and performance in a miniature size.



features

- ▶ Miniature footprint with low internal volume.
- ▶ Dimensions are interchangeable with Veriflo Down Mount valves.
- ▶ Spherical Poppet.
- ▶ No threads exposed to the wetted area.
- ▶ Critically Dampened to improve Flow Stability.
- ▶ O₂ Cleaned.

Specifications

materials of construction

wetted materials

Body	316L Stainless Steel
Seat	PCTFE
Diaphragm	Hastelloy C-22® or equivalent
Poppet	Inconel®
Poppet Spring	Inconel®
Poppet Pin	Hastelloy C-22® or equivalent
Seat Retainer	316L Stainless Steel
Compression Member	316L Stainless Steel

non-wetted materials

Cap	Nickel Plated Brass
Adjusting screw	416 Stainless Steel
Knob (Black)	ABS Plastic

operating conditions

Maximum inlet pressure	500 psig (35 barg)
Outlet pressure	1-30 psig (2 barg) 1-60 psig (4 barg), 2-100 psig (7 barg), 3-250 psig (17 barg)
Temperature:	
Operating	-40°F to 150°F (-40°C to 66°C)
Storage	-40°F to 150°F (-40°C to 66°C)

functional performance

Flow capacity	C _V 0.1 SEMI Flow Coefficient Test #F-32-0998
---------------	---

Maximum Inboard Design: Leak Rate	<2 x 10 ⁻⁷ cc/sec He
--------------------------------------	---------------------------------

surface finishes

Standard Ra	32 micro inch or less
-------------	-----------------------

internal volume

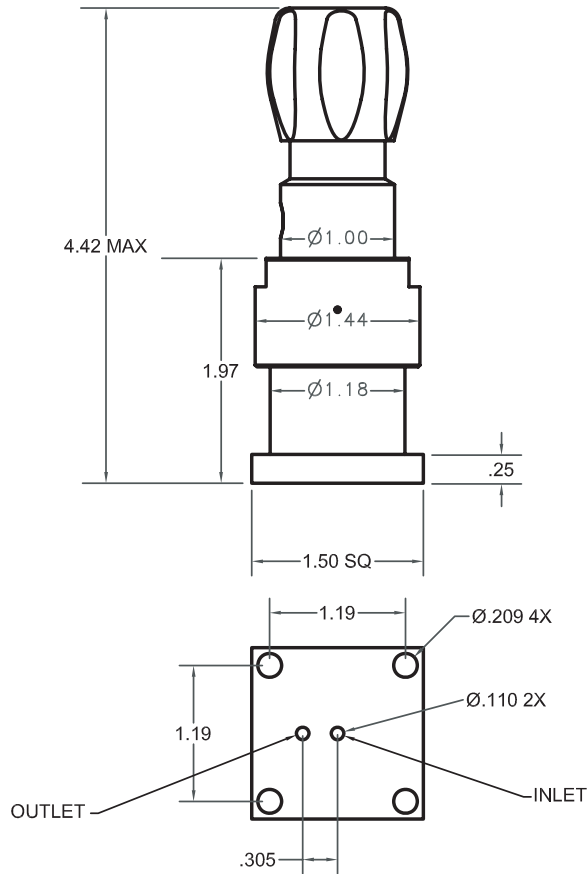
approximately 1.5 cc

approximate weight

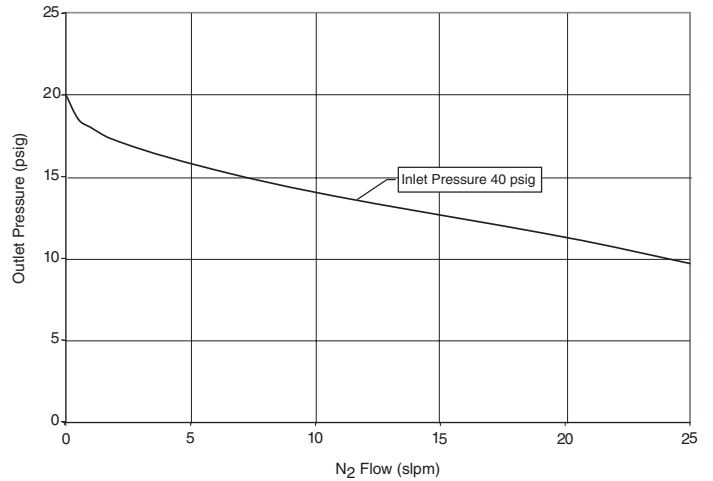
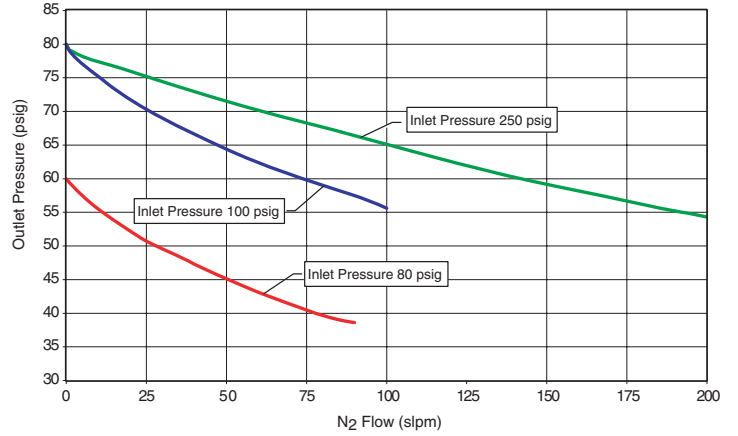
0.6 lb

DM3000 Series

Dimensional Data



Flow Curves



Ordering Information

	DM3001	S	10	
BASIC SERIES				CONNECTIONS
DM3001	=			10 = 2 Port, Standard O-Ring
DM3002	=			
DM3003	=			MATERIAL
DM3004	=			S = 316L Stainless Steel

Hastelloy C-22® is a registered trademark of Haynes International, Inc.
Inconel® is a registered trademark of Inco Alloys International

DM930 1-1/2"

Down Mount Diaphragm Valve

Parker Hannifin Corporation's Veriflo Division presents the Down Mount 930 Air Operated and Manual Diaphragm Valve. The DM930 diaphragm valve provides exceptional performance for today's ANSI/ISA SP76.00.02 modular interface systems.



features

- ▶ Meets ANSI/ISA SP76.00.02 modular interface for the Parker Intraflow System.
- ▶ Standard surface finish is 32 micro inch Ra.
- ▶ Internally threadless and springless.
- ▶ Fully functional for pressure ranges from vacuum to 125 psig for Air Operated valves and 250 psig for manual valves.
- ▶ Ability to change from air operated actuator to lever, or visa versa, without intruding into the wetted area.
- ▶ O₂ Cleaned.

Specifications

materials of construction

Wetted

Body 316L Stainless Steel
 Seat PCTFE
 optional PEEK™, Vespel®
 Diaphragm Elgiloy® or equivalent

Non-wetted

Nut 316L Stainless Steel
 Cap Nickel Plated Brass

operating conditions

Maximum Operating Pressure:
 AOP 125 psig (8.6 barg)
 Manual 250 psig (17 barg)
 Minimum Operating Pressure Vacuum
 AOP Actuation 70 psig (4.8 barg) Nominal
 Temperature -40°F to 150°F (-40°C to 66°C)
 Bake Out 250°F (121°C) in the open position

functional performance

Flow capacity:
 AOP C_v = .25
 Manual C_v = .20
 SEMI Flow Coefficient Test #F-32-0998

Leak Rate Bubble Tight

Design Proof Pressure:
 AOP 188 psig (13 barg)
 Manual 375 psig (26 barg)
 Design Burst Pressure:
 AOP 375 psig (26 barg)
 Manual 750 psig (52 barg)

surface finishes

Standard Ra 32 micro inch or less

internal volume

approximately 0.4 cc

standard connection

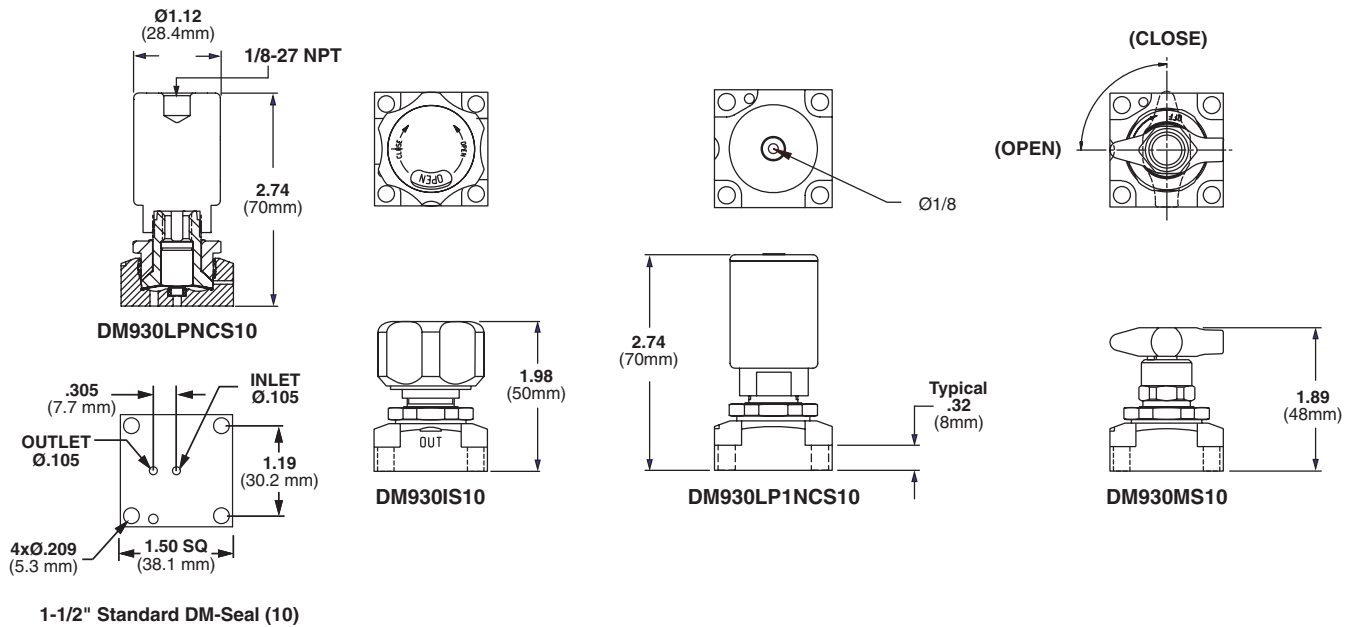
ANSI/ISA SP76.00.02

approximate weight

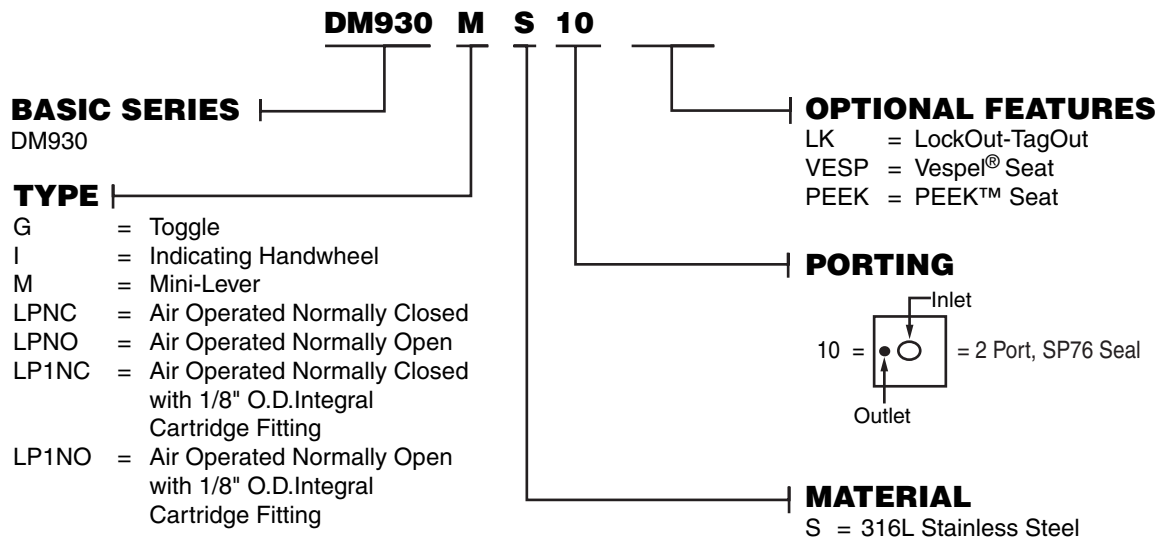
0.6 lb (0.27 kgm)

DM930 1-1/2"

Dimensional Data



Ordering Information



Notes:

LK includes LockOut-TagOut bracket for G-Type Valve; LOTO Clamp for M type Valve

Vespel® seat material is recommended for Nitrous Oxide (N₂O) Service

Elgiloy® is a registered trademark of Elgiloy Company.

Vespel® is a registered trademark of DuPont.

PEEK™ is a trademark of Victrex plc.

DMFS190 1-1/2"

Down Mount Excess Flow Shut- Off Valve

Parker Hannifin Corporation's Veriflo Division presents the Down Mount FS190. The DMFS190 is a non-attitude sensitive, excess flow shut-off valve designed to operate with a wide range of inlet pressures. The DMFS190 is designed to automatically shut off the delivery of gas if the flow exceeds a preset limit. The DMFS190 provides exceptional performance for today's ANSI/ISA SP76.00.02 modular interface systems.

An actuating knob has been designed to manually reset the valve and clearly indicate the relative operating position - either "Open (Reset)" or "Auto (Shut Off)". A pneumatic actuator is available, which will allow resetting of the valve from a remote source.

The DMFS190 is offered with six different pressure/flow limits: A, B, C, D, E, and F (see Sizing Chart).



Specifications

materials of construction

Wetted

Body	316L Stainless Steel
Seat	PCTFE
Diaphragm	Elgiloy® or equivalent
Spring	Hastelloy C-22®
Poppet	316L Stainless Steel
Orifice	316L Stainless Steel

Non-wetted

Knob	Anodized Aluminum (Red)
Stem	416 Stainless Steel (lubricated)
Cap	316L Stainless Steel

operating conditions

Pressure Requirements:

A - D	20 psig (min) to 3500 psig (1.4 barg to 241 barg)
E - F	30 psig (min) to 3500 psig (2 barg to 241 barg)
Differential Pressure	5 psig or 12 psig (.3 barg or .8 barg)
Flow Limit Setting	6 available See Sizing Chart
Temperature	-10°F to 150°F (-23°C to 66°C)

functional performance

Design Leak Rate:	
Inboard	2×10^{-10} scc/sec He

internal volume

approximately 0.4 cc

surface finishes

Standard Ra 32 micro inch or les

standard connection

ANSI/ISA SP76.00.02

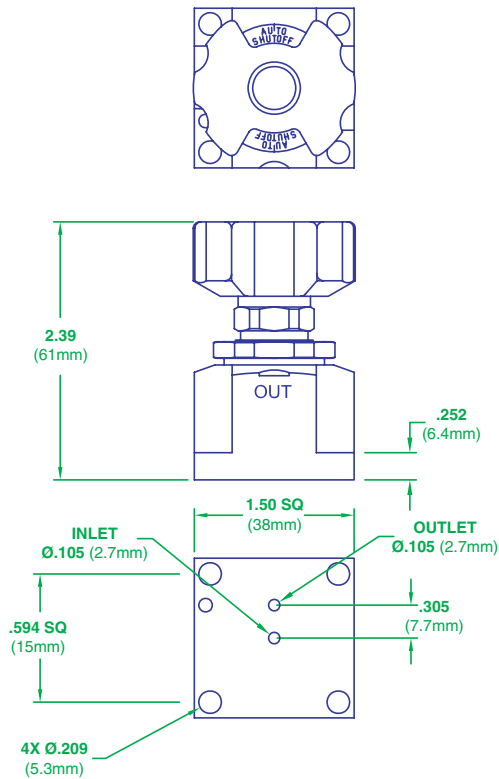
approximate weight

0.6 lb (0.27 kgm)

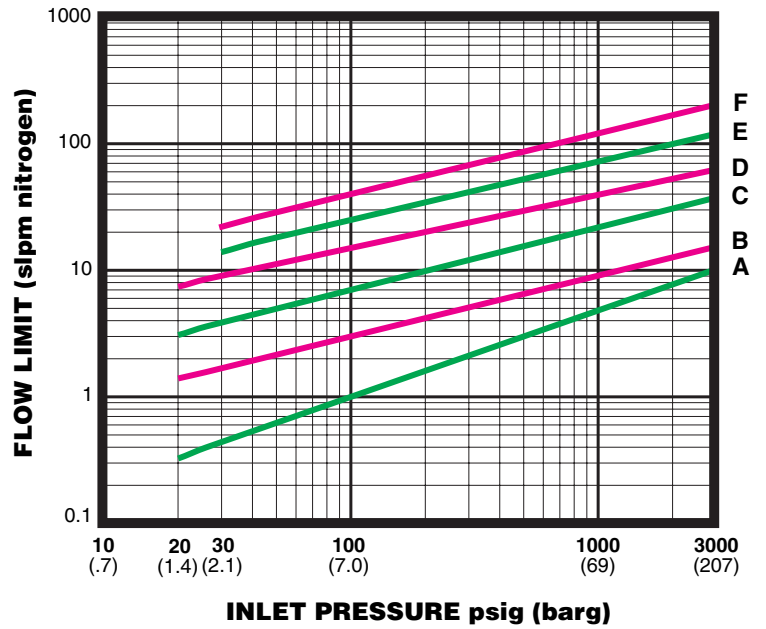
O₂ Cleaned

DMFS190 1-1/2"

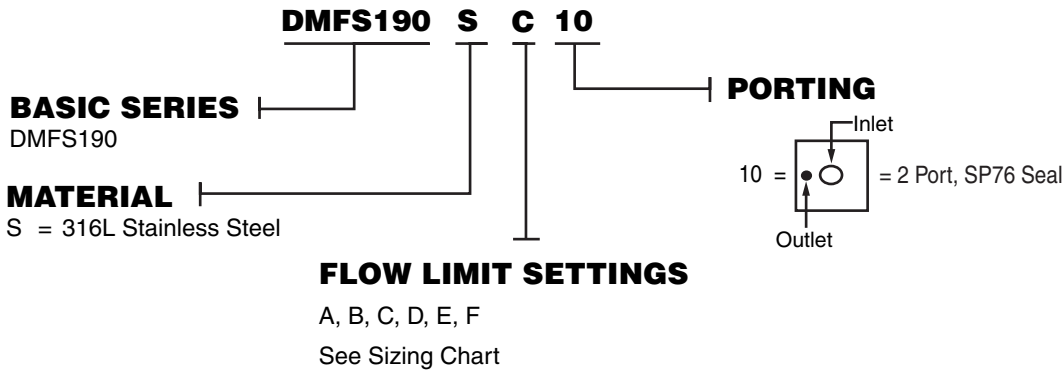
Dimensional Data



Sizing Chart



Ordering Information



Elgiloy® is a registered trademark of Elgiloy Company.
Hastelloy C-22® is a registered trademark of Haynes International, Inc.

Parker仪表管阀件联系方式：

信德迈科技(北京)有限公司 CNMEC Technology Company

地址：北京朝阳区望京街10号望京SOHO-T1-C座2115室

邮编：100102

电话：010-8428 2935, 8428 9077, 8428 3983

手机：139 1096 2635

Http：[//www.cnmec.biz](http://www.cnmec.biz)

E-mail：sales@cnmec.biz

传真：010-8428 8762



Parker Hannifin Corporation

Veriflo Division
250 Canal Boulevard

Catalog: 4518
Rev: 12/29/05
Part No.: 25000293