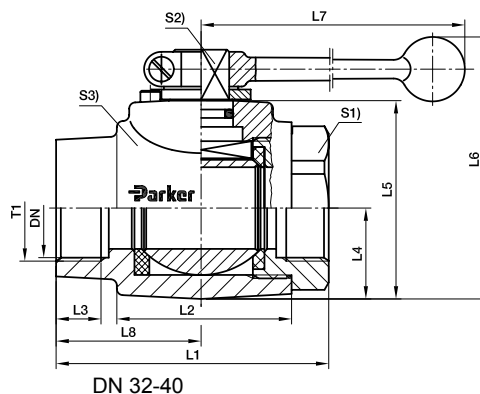
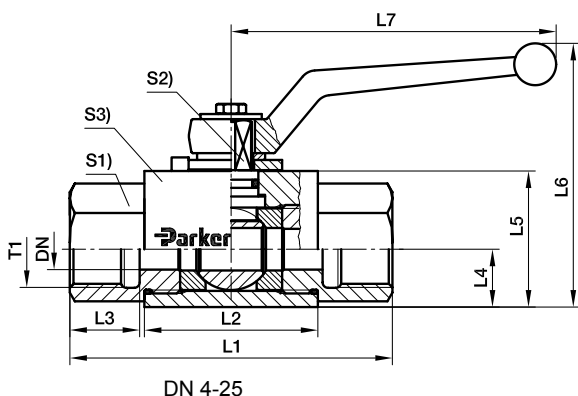


KH 2位2通BSPB 碳钢球阀

BSPB内螺纹 (ISO 1179-1 / BSPB内螺纹 (ISO 1179-1))



T1	DN	L1	L2	L3	L4	L5	L6	L7	L8	S1	S2	S3	重量 g/件	订货号*	PN (bar)
G 1/8	4	69	36.0	12.0	10.0	25	55.0	76	-	19	7	20	220	KH1/8X	500
G 1/4	6	69	36.0	12.0	10.0	25	55.0	76	-	19	7	20	210	KH1/4X	500
G 3/8	10	73	45.0	14.0	14.5	35	68.0	100	-	24	8	30	430	KH3/8X	500
G 1/2	12	82	51.0	15.0	17.0	40	92.0	112	-	30	10	35	670	KH1/2X	500
G 5/8	16	88	50.0	18.0	20.0	45	105.0	166	-	36	11	45	973	KH5/8X	400
G 3/4	20	93	60.0	18.0	24.0	55	113.0	187	-	41	14	45	1280	KH3/4X	400
G 1	25	113	70.0	20.0	26.0	60	118.0	187	-	50	14	55	1982	KH1X	400
G 1 1/4	32	110	70.0	20.0	36.5	80	180.5	320	58.5	60	17	73	2620	KH11/4X	315
G 1 1/4	25	134	70.0	20.0	26.0	60	118.0	187	-	50	14	55	2066	KH11/4DN25X	400
G 1 1/2	40	114	75.0	22.0	42.5	90	190.5	320	57.0	70	17	85	3989	KH11/2X	315
G 1 1/2	25	139	70.0	22.0	26.0	60	118.0	187	-	55	14	55	2200	KH11/2DN25X	400
G 2	50	129	91.5	27.5	49.5	104	180.0	320	65.0	85	17	99	5020	KH2X	400

订货示例:

碳钢, 无六价铬镀锌: KH3/8CFX

碳钢, DIN50938-FE//A/T4: KH3/8X

注: 订货号不含螺母卡套

样本尺寸仅供参考, 请以实际产品尺寸为准。