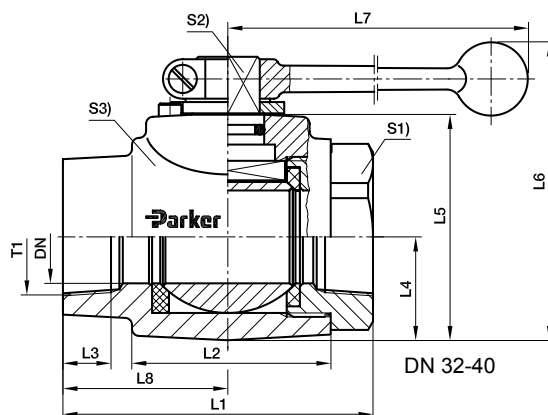
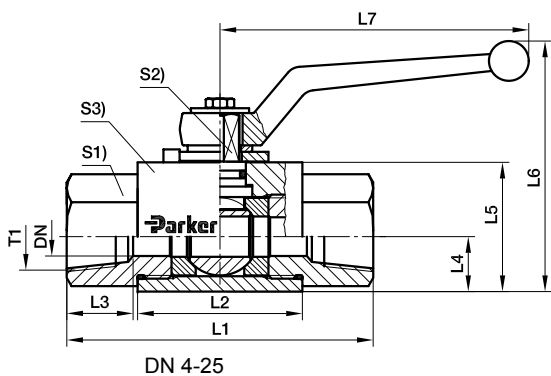


KH 2位2通NPT 碳钢球阀

NPT内螺纹 (SAE 476) / NPT 内螺纹 (SAE 476)



| T1 | DN | L1 | L2 | L3 | L4 | L5 | L6 | L7 | L8 | S1 | S2 | S3 | 重量 g/件 | 订货号 | PN bar |
|----------------|----|-----|----|------|------|----|-------|-----|------|----|----|----|-----------|------------|-----------|
| 1/8-27 NPT | 4 | 69 | 36 | 7.0 | 10.0 | 25 | 55.0 | 76 | - | 19 | 7 | 20 | 225 | KH1/8NPTX | 500 |
| 1/4-18 NPT | 6 | 69 | 36 | 10.0 | 10.0 | 25 | 55.0 | 76 | - | 19 | 7 | 20 | 210 | KH1/4NPTX | 500 |
| 3/8-18 NPT | 10 | 73 | 45 | 10.4 | 14.5 | 35 | 68.0 | 100 | - | 24 | 8 | 30 | 430 | KH3/8NPTX | 500 |
| 1/2-14 NPT | 12 | 82 | 51 | 13.6 | 17.0 | 40 | 92.0 | 112 | - | 30 | 10 | 35 | 670 | KH1/2NPTX | 500 |
| 3/4-14 NPT | 20 | 93 | 60 | 14.0 | 24.0 | 55 | 113.0 | 187 | - | 41 | 14 | 45 | 1280 | KH3/4NPTX | 400 |
| 1-11.5 NPT | 25 | 113 | 70 | 16.8 | 26.0 | 60 | 118.0 | 187 | - | 50 | 14 | 55 | 1970 | KH1NPTX | 400 |
| 1 1/4-11.5 NPT | 32 | 110 | 70 | 17.3 | 36.5 | 80 | 180.5 | 320 | 58.5 | 60 | 17 | 73 | 3074 | KH11/4NPTX | 315 |
| 1 1/2-11.5 NPT | 40 | 114 | 75 | 17.3 | 42.5 | 90 | 190.5 | 320 | 57.0 | 70 | 17 | 85 | 3976 | KH11/2NPTX | 315 |

订货示例:

碳钢, 无六价铬镀锌: KH3/8NPTCFX

碳钢, DIN50938-FE//A/T4: KH3/8NPTX

注: 订货号不含螺母卡套

A 软管, 接头及设备

B 硬管接头及设备

C 快换接头

D 其他产品

样本尺寸仅供参考, 请以实际产品尺寸为准。