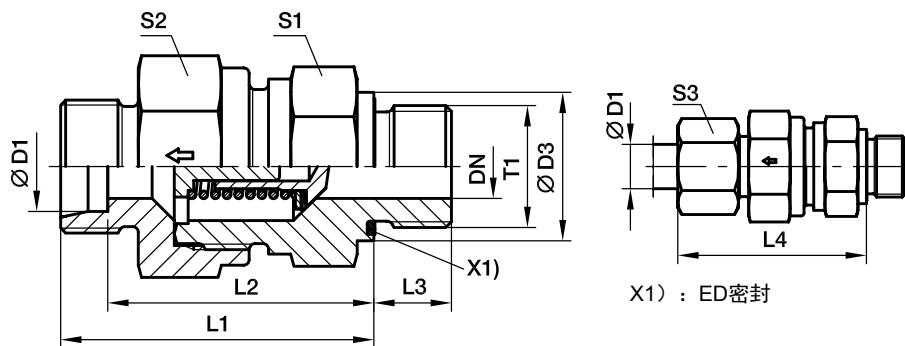


## RHV-M-ED 端直通单向阀

EO 24° 锥 / 公制外螺纹- ED密封 (ISO 9974)



| 系列 | D1 | T1       | CF   |      | DN | D3   | 71 |      | L2 | L3    | L4 | S1 | S2 | S2 | S3   | 重量<br>g/件    | 订货号* | PN (bar) |    |
|----|----|----------|------|------|----|------|----|------|----|-------|----|----|----|----|------|--------------|------|----------|----|
|    |    |          | CF   | 71   |    |      | CF | 71   |    |       |    |    |    |    |      |              |      | CF       | 71 |
| L  | 06 | M 10×1.0 | 3.5  | 3.5  | 14 | 35.0 | -  | 28.0 | 8  | 42.5  | 17 | 17 | 17 | 14 | 46   | RHV06LMEDOMD | 400  | 250      |    |
|    | 08 | M 12×1.5 | 5.5  | 5.5  | 17 | 36.0 | -  | 29.0 | 12 | 43.5  | 19 | 19 | 19 | 17 | 58   | RHV08LMEDOMD | 400  | 250      |    |
|    | 10 | M 14×1.5 | 7.5  | 7.5  | 19 | 45.5 | -  | 38.5 | 12 | 53.0  | 22 | 24 | 34 | 19 | 108  | RHV10LMEDOMD | 400  | 250      |    |
|    | 12 | M 16×1.5 | 9.5  | 9.5  | 22 | 49.5 | -  | 42.5 | 12 | 57.0  | 27 | 30 | 30 | 22 | 173  | RHV12LMEDOMD | 400  | 250      |    |
|    | 15 | M 18×1.5 | 11.0 | 11.5 | 24 | 52.5 | -  | 45.5 | 12 | 60.5  | 27 | 32 | 32 | 27 | 192  | RHV15LMEDOMD | 400  | 250      |    |
|    | 18 | M 22×1.5 | 14.0 | 14.0 | 27 | 56.0 | -  | 50.0 | 14 | 66.0  | 36 | 41 | 36 | 32 | 298  | RHV18LMEDOMD | 400  | 160      |    |
|    | 22 | M 26×1.5 | 18.0 | 18.0 | 32 | 64.0 | -  | 55.0 | 16 | 71.0  | 41 | 46 | 46 | 36 | 446  | RHV22LMEDOMD | 250  | 160      |    |
|    | 28 | M 33×2.0 | 23.0 | 23.0 | 40 | 72.0 | -  | 63.0 | 18 | 79.5  | 50 | 55 | 55 | 41 | 722  | RHV28LMEDOMD | 250  | 100      |    |
|    | 35 | M 42×2.0 | 29.0 | 29.0 | 50 | 81.0 | -  | 69.0 | 20 | 90.5  | 60 | 65 | 60 | 50 | 1053 | RHV35LMEDOMD | 250  | 100      |    |
|    | 42 | M 48×2.0 | 29.0 | 29.0 | 55 | 82.0 | -  | 68.5 | 22 | 91.0  | 65 | 70 | 70 | 60 | 1563 | RHV42LMEDOMD | 250  | 100      |    |
| S  | 06 | M 12×1.5 | 3.5  | 3.5  | 17 | 38.5 | -  | 31.5 | 12 | 46.0  | 19 | 19 | 19 | 17 | 70   | RHV06SMEDOMD | 420  | 400      |    |
|    | 08 | M 14×1.5 | 3.5  | 3.5  | 19 | 38.5 | -  | 31.5 | 12 | 46.0  | 19 | 19 | 19 | 19 | 76   | RHV08SMEDOMD | 420  | 400      |    |
|    | 10 | M 16×1.5 | 5.5  | 5.5  | 22 | 45.5 | -  | 38.0 | 12 | 54.0  | 22 | 24 | 24 | 22 | 124  | RHV10SMEDOMD | 420  | 400      |    |
|    | 12 | M 18×1.5 | 7.5  | 7.5  | 24 | 48.5 | -  | 41.0 | 12 | 57.0  | 24 | 27 | 27 | 24 | 157  | RHV12SMEDOMD | 420  | 400      |    |
|    | 14 | M 20×1.5 | 9.5  | 9.5  | 26 | 52.5 | -  | 44.5 | 14 | 62.0  | 27 | 32 | 32 | 27 | 215  | RHV14SMEDOMD | 420  | 315      |    |
|    | 16 | M 22×1.5 | 11.0 | 11.5 | 27 | 55.0 | -  | 48.0 | 14 | 66.0  | 32 | 36 | 36 | 30 | 296  | RHV16SMEDOMD | 420  | 315      |    |
|    | 20 | M 27×2.0 | 15.0 | 15.0 | 32 | 61.0 | -  | 52.0 | 16 | 73.5  | 41 | 50 | 46 | 36 | 521  | RHV20SMEDOMD | 420  | 250      |    |
|    | 25 | M 33×2.0 | 19.0 | 19.0 | 40 | 67.0 | -  | 54.5 | 18 | 78.5  | 46 | 55 | 50 | 46 | 648  | RHV25SMEDOMD | 420  | 250      |    |
|    | 30 | M 42×2.0 | 24.0 | 24.0 | 50 | 78.0 | -  | 64.0 | 20 | 90.5  | 60 | 60 | 60 | 50 | 1178 | RHV30SMEDOMD | 250  | 250      |    |
|    | 38 | M 48×2.0 | 29.0 | 29.0 | 55 | 88.0 | -  | 69.5 | 22 | 100.0 | 65 | 70 | 70 | 60 | 1627 | RHV38SMEDOMD | 250  | 250      |    |

订货示例:

碳钢, 无六价铬镀锌: RHV12LMEDOMDCF

316Ti 不锈钢: RHV12LMEDOMD71

注: 订货号不含螺母卡套

样本尺寸仅供参考, 请以实际产品尺寸为准。