



**FPP METERS**



**N1C Assembly**  
= 4 digit mechanical register



**N0E Assembly**  
= with pulse signal, for use with remote electronic register

Positive displacement meters based on the nutating disc operating principle. This is a rugged design for use in non-Custody Transfer applications, such as inventory control of refined petroleum products and non-corrosive chemicals. High pressure versions are available in both model sizes, for use in automotive fluid distribution systems, lube trucks and similar service.

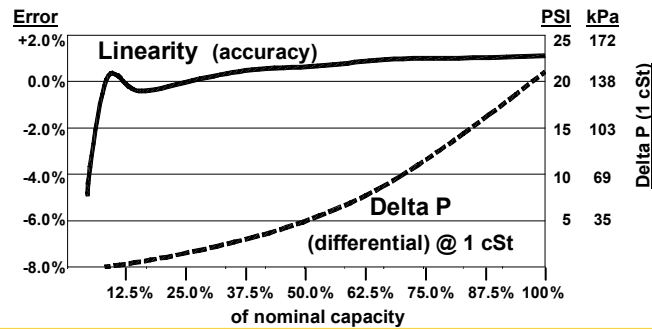
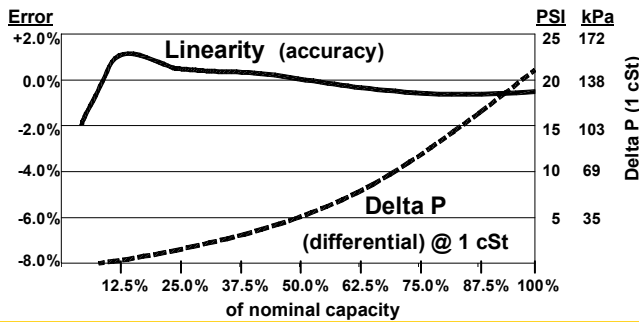
Each flow meter is manufactured for a specific liquid category (specify viscosity), and flow tested accordingly.

**40 GPM = 150 lpm**

- TN840A 150 PSI**
- TN740A 400 & 1000 PSI**

**60 GPM = 230 lpm**

- TN860A 150 PSI**
- TN760A 400 PSI**



- **Nominal Capacity/1 cSt**

<b>TN740A/TN840A</b>	<b>TN760A/TN860A</b>
GPM : 4-40	6-60
LPM : 15-150	23-230
m <sup>3</sup> /h : 0.9-9	1.3-13

- **Pressure Rating at 100°F (38°C) with 3:1 Safety Factor**

<b>TN8_0A</b>	150 PSI	10 BAR
<b>TN7_0A</b>	400 or 1000 PSI	28 or 69 BAR

*At higher temperatures multiply by temperature coefficient:*

150°F	180°F	210°F	250°F	275°F	300°F
66°C	82°C	99°C	121°C	135°C	150°C
0.85	0.80	0.75	0.70	0.60	0.40

- **Temperature Rating**

<b>N1C Assembly</b>	-40°F to +180°F	= -40°C to +80°C
<b>N0E Assembly</b>	-40°F to +300°F	= -40°C to +150°C

- **Viscosity**  
Full nominal capacity on gasoline & diesel fuel. On higher viscosity fluids multiply by viscosity coefficient:

50	100	250	500	1000	2500	5K	10K	50K	cSt
240	475	1140	2.4K	4.8K	12K	24K	48K	240K	SSU
0.80	0.70	0.60	0.55	0.50	0.40	0.30	0.20	0.10	

- **Connections**

<b>TN_40A</b>	1" or 1.1/2" NPT or BSP ports
	1000 PSI models only with 1" ports
<b>TN_60A</b>	1.1/2" NPT or BSP ports

- **Materials**

Case	: Anodized aluminum
Chamber	: PPS (polyphenylene sulfide resin)
Shaft & trim	: HC303SS & brass
Seals	: Viton standard, Teflon™ optional.

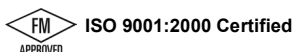
**Meter Performance**

- **Linearity** Over 10:1 turn-down from max. capacity: ±2%
- **Repeatability** ±0.5% or better under constant conditions

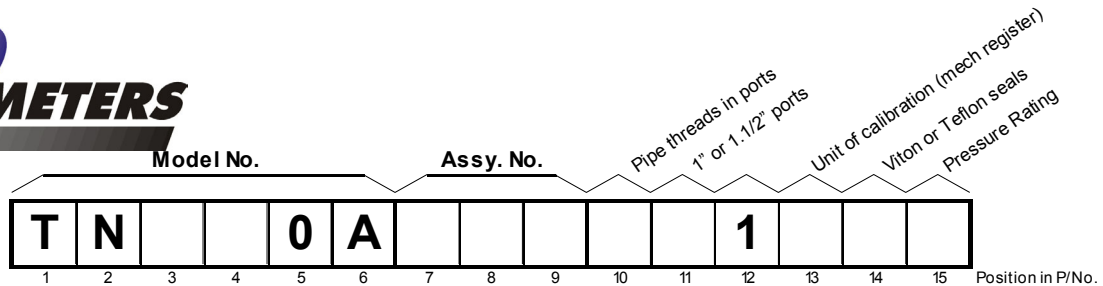
**Registration**

- **N1C assy = Mechanical register:**  
4 digit reset counter reading in:  
**TN\_40A** 1/10 gallon (7 digit totalizer) or liter (8 digit totalizer)  
**TN\_60A** Whole gallon (7 digit totalizer) or liter (8 digit totalizer)
- **N0E assy = Flow sensor (pulse meter):**  
Pulse signal is only available from the N0E assembly, which comes standard with Hall Effect pulser. Reed Switch pulser is optional, when used with a battery powered register.  
**TN\_40A** ±86 PPG/1 cSt to ±104 PPG/1000 cSt  
**TN\_60A** ±52 PPG/1 cSt to ±63 PPG/1000 cSt

N0E assemblies are for use with remote electronic signal conditioners and/or registers. If used with non-TTS electronics, a PIA-300 signal conditioner might be required.

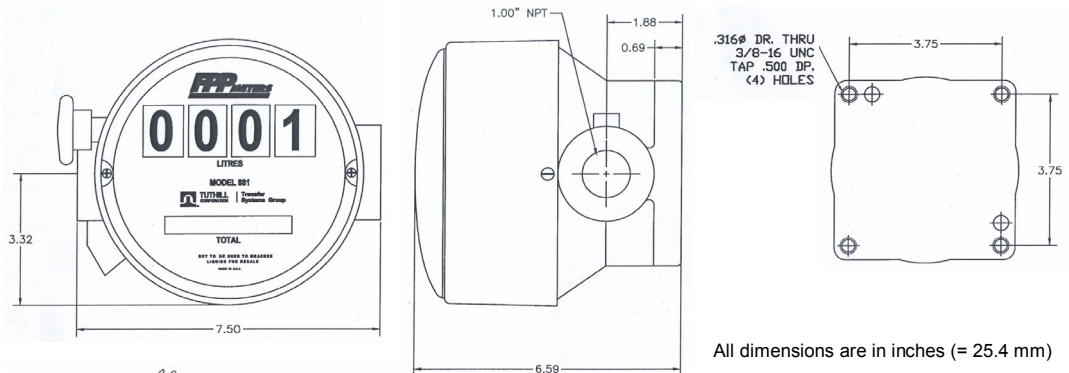


Part No.  
structure:

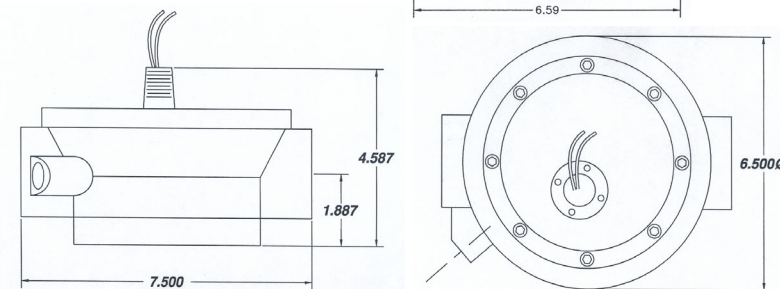


- Pos.**
- 3: 7 = Model with 400 or 1000 PSI (28 or 69 BAR) pressure rating  
8 = Model with 150 PSI (10 BAR) pressure rating
  - 4: 4 = Model with 40 GPM (150 lpm) nominal capacity  
6 = Model with 60 GPM (230 lpm) nominal capacity
  - 7-9 **N1C** = 4 digit mechanical register with 7 or 8 digit accumulative totalizer  
**N0E** = Pulse meter with Hall Effect pulser (reed switch optional)
  - 10: **A** = NPT ports  
**B** = BSP ports
  - 11: **A** = 1" ports  
**B** = 1½" ports (not available when 1000 PSI = 69 BAR pressure rating)
  - 13: **T** = 1/10 gallon registration with 7 digit accumulative totalizer, 40 GPM (150 lpm) models only  
**G** = Whole gallon registration with 8 digit accumulative totalizer, 60 GPM (230 lpm) models only  
**L** = Whole liter registration with 8 digit accumulative totalizer, all models.
  - 14: **A** = Viton™ seals  
**B** = Optional Teflon™ seals
  - 15: **C** = 150 PSI (10 BAR)  
**F** = 400 PSI (28 BAR)  
**I** = 1000 PSI (69 BAR)

### Dimensions, N1C assembly:



### Dimensions, N0E assembly:



## Tuthill

Tuthill Transfer Systems,  
P.O.Box 400,  
Tickfaw, LA 70466, USA

Phone: 985-542-5200

888-578-3258

Fax: 985-542-7394

E-mail: [FPPWebInquiries@tuthill.com](mailto:FPPWebInquiries@tuthill.com)

#### International offices:

	Phone	Fax
Europe, Africa & Middle East	+44 (1858) 467-888	+44 (1858) 433-732
Mexico, northern region	+52 (81) 8355-5535	+52 (81) 8355-5534
Mexico, south/central region	+52 (55) 5370-2626	+52 (55) 5363-5319
Carib/CA/northern South America	+57 (1) 633-6494	+57 (1) 757-2616
Argentina, Chile & Brazil	+54 (11) 4866-5641	+54 (11) 4866-5641
Australia/Pacific Rim	+61 (3) 9720-6533	+61 (3) 9720-6880
China	+86 (21) 5385-3369	+86 (21) 5385-3365
Bangladesh/India/Pakistan	+91 (44) 2836-0601	+91 (44) 2836-5600

Distributed by: