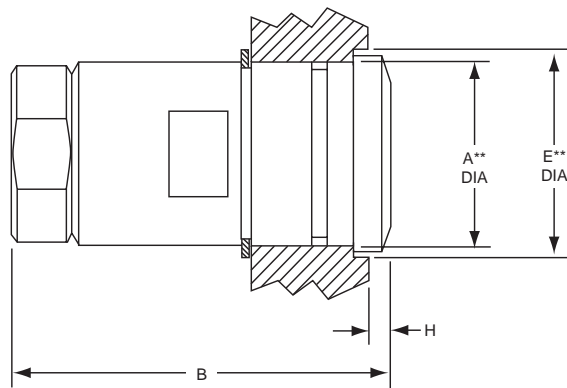
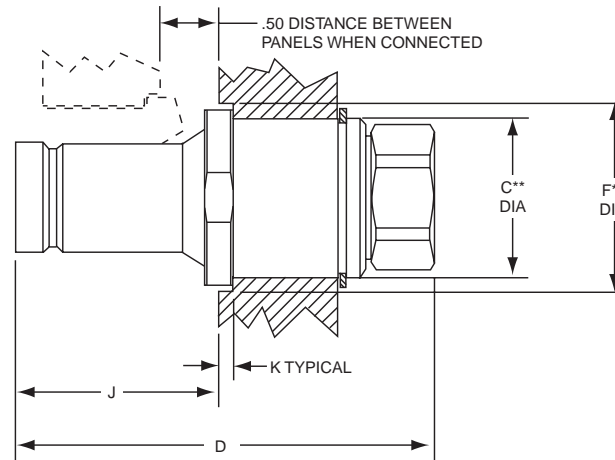


BN SERIES

Panel Mount Couplings 3/8" - 3/4" Sizes



Coupler Assembly



Nipple Assembly

**Recommended hole size.



Quick Disconnect & Valve Division

美国Snap-Tite快速接头授权
代理商联系方式：

信德迈科技(北京)有限公司 CNMEC Technology
地址：北京朝阳区望京街10号望京SOHO-T1-C座
邮编：100102
电话：010-8428 2935, 8428 9077, 8428 3983
手机：139 1096 2635
Http://www.cnmec.biz
E-mail：sales@cnmec.biz
传真：010-8428 8762

ISO-9001 Certified

Unit Size	A Dia +/- .005		B +/- .03		C Dia +/- .005		D +/- .03		E Dia Min		F Dia Min		H		J		K	
	in	mm	in	mm	in	mm	in	mm	in	mm	in	mm	in	mm	in	mm	in	mm
3/8"	1.563	39.70	3.22	81.79	1.375	34.93	3.44	87.38	1.750	44.45	1.563	39.70	.20	5.08	1.74	44.20	.125	3.18
1/2"	1.938	49.23	3.70	93.98	1.763	44.78	3.55	90.17	2.172	55.17	1.922	48.82	.29	7.37	1.64	41.66	.250	6.35
3/4"	2.000	50.80	3.72	94.49	2.000	50.80	3.47	88.14	2.438	61.93	2.438	61.93	.43	10.92	1.81	45.97	.220	5.59

Contact factory for verification of dimensions prior to any machining.

BN SERIES

How to Order

Part Number Example: SBNC6-4EFE

Material ¹	Series	Coupling Half	Coupling Size	End Fitting Size	Type of ¹ End Fitting	Seal ¹ Material
S Stainless Steel	BN	C Coupler N Nipple	6 - 3/8"	4 - 1/4"	F	**
			8 - 1/2"	6 - 3/8"	Female NPSF	Nitrile (AMS3215)
			12 - 3/4"	8 - 1/2"	M	V
				16 - 1"	Male NPT	Viton (MIL-R-25897)
				RP	JF	Nitrile (MIL-P-5315)
				Female British Parallel BS2779	M	Nitrile (MIL-P-25732)
				EF	E	Ethylene Propylene
				Female SAE O'Ring Boss	AS	Aflas
				EM	K	Kalrez
				Male SAE 37°		

¹For other end fittings and seal or coupling materials, consult the factory.

Pressure Ratings psi (bar)

Size	Working Pressure	Proof Pressure	Burst Pressure
3/8"	5000 (344)	7500 (517)	10000 (689)
1/2"	3000 (206)	4500 (310)	6000 (413)
3/4"	3000 (206)	4500 (310)	6000 (413)

Burst pressures listed were taken at the point at which failure rendered the quick-disconnect inoperative.

NOTE: Pressure ratings were established under static pressure conditions. For high impulse applications, multiply the above pressure ratings by .6 for approximate pressure ratings.

Air Inclusion on Connect, Spillage on Disconnect

Size (inches)	Spillage (cc)	Inclusion (cc)
3/8	< .02	.03
1/2	.12	.19
3/4	.08	.13

Note:

Air inclusion at 0 psi internal pressure.
Spillage at 15 psi (1 bar) internal pressure.

Separation Forces at 10000 psi (689 bar)

Size (inches)	Forces in Pounds (kilograms)
3/8	< 60 (27)
1/2	< 60 (27)
3/4	< 60 (27)

Maximum Recommended Connect/Disconnect Pressure

Dynamic pressure 250 psi (17 bar)
Static pressure 3000 psi (206 bar)