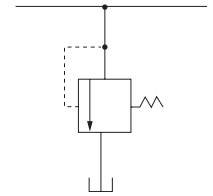
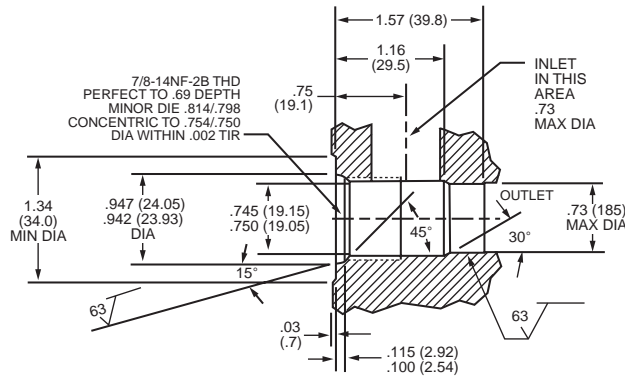
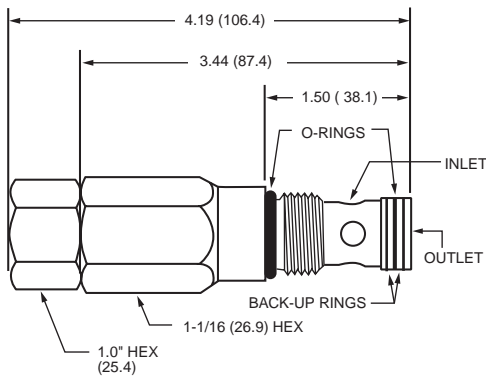




RDC - Relief Valve Cartridge

The RDC is a basic differential area relief cartridge which will relieve flows to 40 gpm (151 l/min). The RDC cartridge is supplied in steel with a corrosion resistant yellow zinc dichromate plating.

Working Pressure - to 4,000 psi (276 bar)
Weight - Approx. 8 oz. (.23 kg)

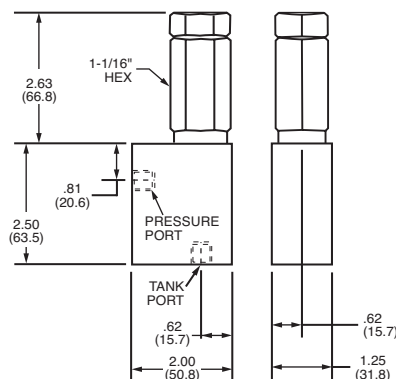


RDV - Single Relief Valve

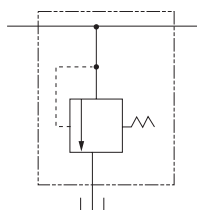
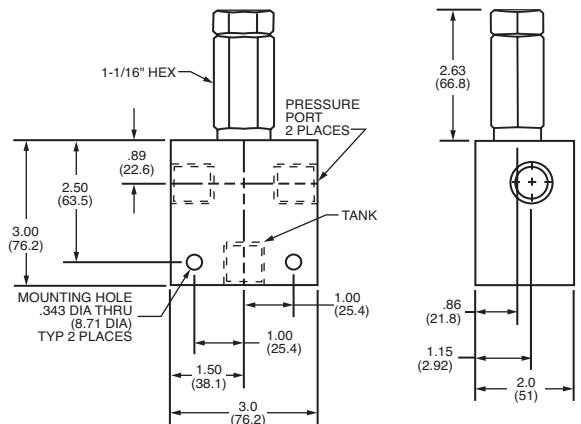
The RDV style valve consists of a standard plated steel RDC cartridge in an anodized aluminum housing in either inline or tee configuration. Standard valves are manufactured with either NPSF or SAE O-ring sealed porting to 1".

Working Pressure - to 4,000 psi (276 bar)
Weight - Approx. 1 lb. (.45 kg)

3/8", 1/2" Ported Single Relief Valve (RDV)



3/4", 1" Ported Single Relief Valve (RDV)

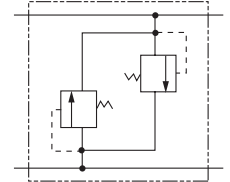
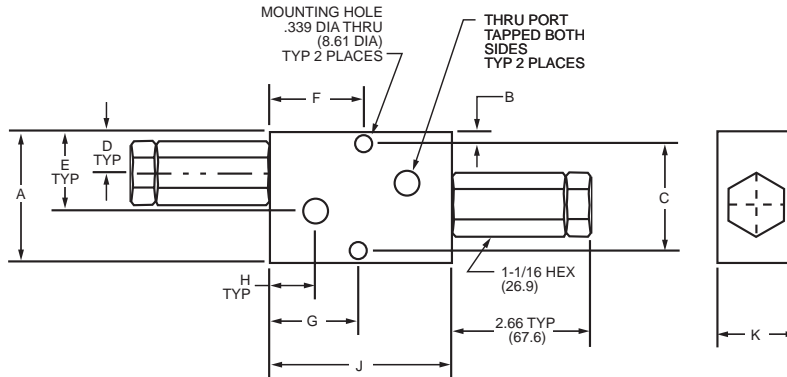


MDD - Dual Relief Valve



The MDD style valve features two RDC cartridges in a single housing with standard ports from 3/8" to 1" in either NPSF or SAE O-ring sealed threads. A typical application for this type of valve would be shock relief protection for actuator circuits. Pressure surges on either side of the circuit can be vented to the opposite side through the single valve body design.

Working Pressure – to 4,000 psi (276 bar)
Weight – Approx. 2 lbs. (.91 kg)



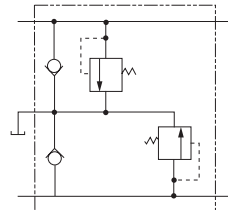
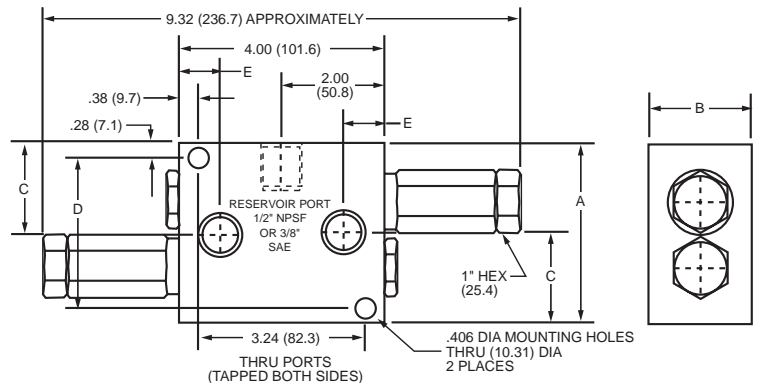
Port Size	A		B		C		D		E		F		G		H		J		K	
	in	mm	in	mm	in	mm	in	mm	in	mm	in	mm	in	mm	in	mm	in	mm	in	mm
3/8"	2.50	63.5	.22	5.6	2.052	52.1	.80	20.3	1.52	38.6	1.81	46.0	1.69	42.9	.90	22.9	3.50	88.9	1.50	38.1
1/2"	2.50	63.5	.22	5.6	2.052	52.1	.80	20.3	1.52	38.6	1.81	46.0	1.69	42.9	.90	22.9	3.50	88.9	1.50	38.1
3/4"	3.00	76.2	.25	6.4	2.500	63.5	.96	24.4	2.08	52.8	1.30	33.0	2.32	58.9	1.00	25.4	3.62	91.9	1.75	44.5
1"	3.00	76.2	.25	6.4	2.500	63.5	.96	24.4	2.08	52.8	1.30	33.0	2.32	58.9	1.00	25.4	3.62	91.9	1.75	44.5

MCD - Dual Relief Valve with Make-Up Checks



The MCD style relief valve is designed with two RDC relief cartridges and two soft seated, plated steel, free reverse check valves in a single anodized aluminum body. This valve is best applied in hydraulic circuits where pressure surges are relieved to an unequal volume. These checks prevent cavitation or pressure surge rise by allowing oil to be drawn from the reservoir or relieve to the reservoir in the single body design.

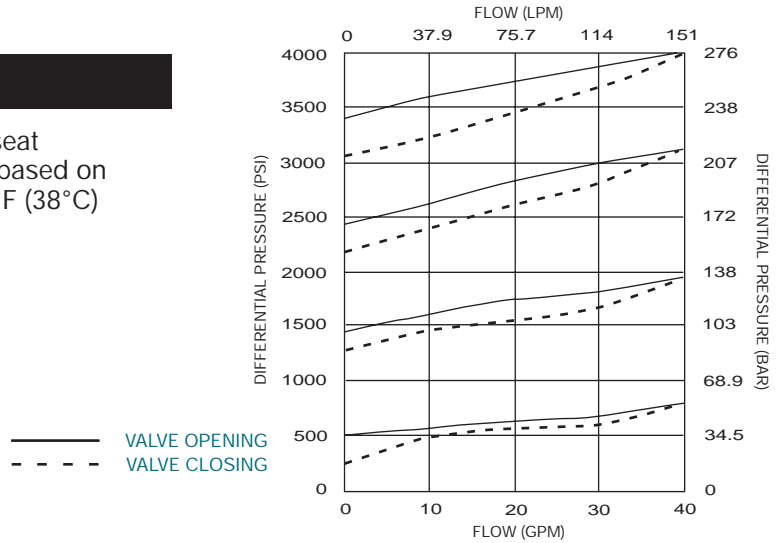
Working Pressure
 – to 4,000 psi (276 bar)
Weight
 – Approx. 3 lbs. (1.36 kg)



Port Size	A		B		C		D		E	
	in	mm	in	mm	in	mm	in	mm	in	mm
1/4"	3.50	88.9	2.00	50.8	1.78	45.2	2.94	74.7	.80	20.3
3/8"	3.50	88.9	2.00	50.8	1.78	45.2	2.94	74.7	.80	20.3
1/2"	3.50	88.9	2.00	50.8	1.78	45.2	2.94	74.7	.80	20.3
3/4"	4.00	101.6	2.00	50.8	2.14	54.4	3.44	87.4	.91	23.1
1"	4.00	101.6	2.00	50.8	2.14	54.4	3.44	87.4	.91	23.1

Pressure Drop Information

The curves at the right indicate typical crack and reseal characteristics through the standard RDC cartridge based on 3 gpm (11 l/min) flow rate, using 175 SSU oil at 100°F (38°C)



Ordering Information

RELIEF CARTRIDGE				RELIEF VALVES						
Example: RDC 40 - 25 A				Example: RDV - T 3P - 25 A						
Style	Max. Flow	Pressure Range	Seal Material	Valve Style	Relief Adjustment	Thread Type		Pressure Range	Seal Material	
Relief Differential Cartridge	40 40 gpm (151 l/min)	15 500-1500 psi (35-104 bar) 850 psi (59 bar) Std. setting @ 3 gpm (11 l/min)	No letter - Viton (Std) A Buna N E Ethylene Propylene Rubber	RDV Single Differential Relief Valve	T Screw Adjustment	NPSF	SAE	15 500-1500 psi (35-104 bar) 850 psi (59 bar) Std. setting @ 3 gpm (11 l/min)	No letter - Viton (Std) A Buna N E Ethylene Propylene Rubber	
		25 500-2500 psi (35-172 bar) Std. setting 1500 psi (104 bar) @ 3 gpm (11 l/min)		MDD Dual Differential Relief Valve		3P = 3/8" 4P = 1/2" 6P = 3/4" 8P = 1"	6S = 3/8" 8S = 1/2" 12S = 3/4" 16S = 1"			25 500-2500 psi (35-172 bar) Std. setting 1500 psi (104 bar) @ 3 gpm (11 l/min)
		40 1000-4000 psi (69-276 bar) Std. setting 2500 psi (172 bar) @ 3 gpm (11 l/min) All pressures are set at 3 gpm (11 l/min)		MCD Dual Differential Relief Valve with make-up checks			40 1000-4000 psi (69-276 bar) Std. setting 2500 psi (172 bar) @ 3 gpm (11 l/min) All pressures are set at 3 gpm (11 l/min)			

! WARNING !

FAILURE OR IMPROPER SELECTION OR IMPROPER USE OF THE PRODUCTS AND/OR SYSTEMS DESCRIBED HEREIN OR RELATED ITEMS CAN CAUSE DEATH, PERSONAL INJURY AND PROPERTY DAMAGE. This document and other information from Snap-tite, Inc., its subsidiaries and authorized distributors provide product and/or system options for further investigation by users having technical expertise. It is important that you analyze all aspects of your application and review the information concerning the product or system in the current product catalog. Due to the variety of operation conditions and applications for these products or systems, the user, through its own analysis and testing, is solely responsible for making the final selection of the products and systems and assuring that all performance, safety and warning requirements of the application are met.

The products described herein, including without limitation, product features, specifications, designs, availability and pricing, are subject to change by Snap-tite, Inc. and its subsidiaries at any time without notice.

DISTRIBUTED BY:

美国Parker Snap-Tite Quick Couplings快速接头
授权代理商联系方式：



Quick Disconnect & Valve Division
201 Titusville Road
Union City, Pennsylvania 16438-8699 USA
PH: 814-438-3821 FAX: 814-438-3069
e-mail: qd&v_sales@snap-tite.com
www.snap-tite.com

信德迈科技(北京)有限公司 CNMEC Technology
地址：北京朝阳区望京SOHO-T1-C座2115室
邮编：100102
电话：010 - 8428 2935 , 8428 9077
手机：13910962635
传真：010 - 8428 8762
Email : sales@cnmec.biz
Http://www.cnmec.biz

ISO-9001 Certified