

Needle Valves

Extreme Temperature

HT, LT and PV Series

Pressures to 60,000 psi (4137 bar)

Autoclave Engineers has two different styles of valves for extreme temperature. Standard valves can be supplied with packing for operation from -100°F (-73°C) to 800°F (427°C), or with the addition of an extended packing housing for operation from -423°F (-252°C) to 1200°F (649°C). The extended packing housing provides the means of removing the packing from the extreme temperature medium. Machined grooves on the housing act as a heatsink to remove heat or cold.

The second, which is economically priced, is a modified standard designed for the power industry. It operates to 1200°F (649°C) with graphite packing and no extended packing housing.

Extreme Temperature Valve Features:

- The extreme temperature option can be ordered on low, medium, high, micro-metering and other valve series.
- Reliable long life operation with extended stuffing box at very high and low temperatures.
- Design available for operation to 1200°F (649°C) without extended packing housing.
- Available with a variety of tubing connections and orifice sizes.
- Non-rotating stem.
- Wide range of material options
- Adjustable packing below threads.
- Metal to metal seating.
- Anti-extrusion back-up rings.

Autoclave valves are complemented by a complete line of fittings, tubing, and accessories.



Applications:

- Hot well condenser
- Super-heated steam hookup/ measurement
- Supercritical fluid processing
- Boiler ignition system

Autoclave Engineers 

Fluid Components
Division of Snap-tite, Inc.
www.autoclave.com

Needle Valves - HT, LT and PV Series
Extreme Temperature

Needle Valve - HT, LT Series

Standard Valve with Stuffing Box option - Pressures to 60,000 psi (4137 bar)

High Temperature Valves to 1200°F (649°C)

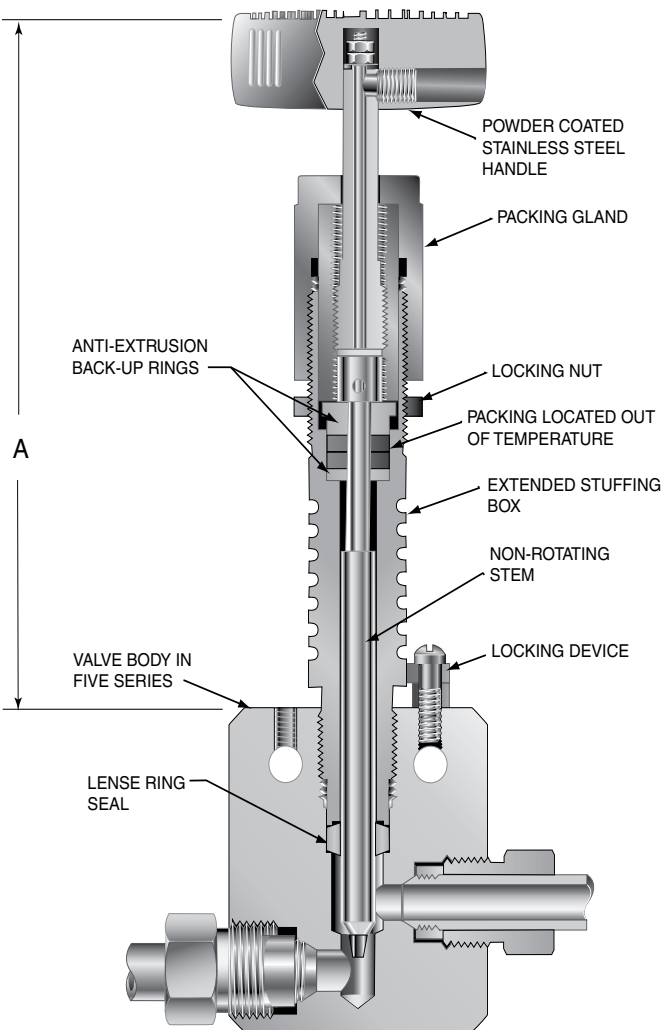
High Temperature Packing Option

Standard Autoclave valves can be operated up to 800°F (427°C) at the packing with appropriate packing materials. See table in Technical Section for temperature ratings and ordering information.

High Temperature Extended Stuffing Box Option "HT"

For operation above 800°F (427°C) at the packing, optional extended stuffing box removes packing and stem threads from the hot zone. The "HT" option is standard graphite-yarn packing; add "HT" to valve order number. For other packing materials, add both "HT" and the suffix for the desired packing material (See table in Technical Section).

High or Low Temperature Air Operated Valves with extended stuffing box can be ordered by adding suffix "HT" to Air Operated Valve order number.



Cryogenic Valves to -423°F (256°C)

Low Temperature Trim Materials Option "B"

While all WETTED parts in most AE valves are type 316SS, some TRIM parts are constructed of mechanically preferable materials. For low temperature to -100°F (-73°C), type 316SS trim parts and Teflon packing can be furnished (except Series 100V and 150V). To order, add suffix "B" to valve order number.

Cryogenic Extended Stuffing Box Option "LT"

For operation below -100°F (-73°C) or for rigorous cycling, an extended stuffing box removes packing from the extreme low temperature zone. The "LT" option also includes many type 316 SS trim parts and Teflon packing. Add "LT" suffix to valve order number.

Valve Series	O.D. Tube Size inches	Dimension "A" inches (mm)
10V	1/8	5.38 (136.65)
	1/4	5.94 (150.87)
	3/8	5.94 (150.87)
	1/2	5.94 (150.87)
SW	1/4	5.50 (139.70)
	3/8	5.50 (139.70)
	1/2	6.31 (160.27)
10SM & 20SM	1/4	5.50 (139.70)
	3/8	5.50 (139.70)
	9/16	6.31 (160.27)
	3/4	6.31 (160.27)
30SC	1	6.31 (160.27)
	1	9.52 (241.80)
30VM	1/4	5.94 (150.87)
	3/8	5.94 (150.87)
	9/16	5.94 (150.87)
40VM	9/16	6.19 (157.22)
60VM	1/4	5.87 (149.10)
	3/8	5.94 (150.87)
	9/16	6.19 (157.22)
10VRMM	1/8	5.38 (136.65)
30VRMM	1/4	5.94 (150.87)
60VRMM	1/4	6.06 (153.92)
	3/8	6.06 (153.92)

Note: Caution should be exercised in proper selection of medium pressure tubing based on actual operating conditions. Two series available: 10,000 psi (690 bar) and 20,000 psi (1379 bar).

Handle Extenders are available to facilitate extreme temperature operation of valves and for remote actuation through an insulating wall or barricade. See appropriate valve ordering section.

* See Valve Actuators section.

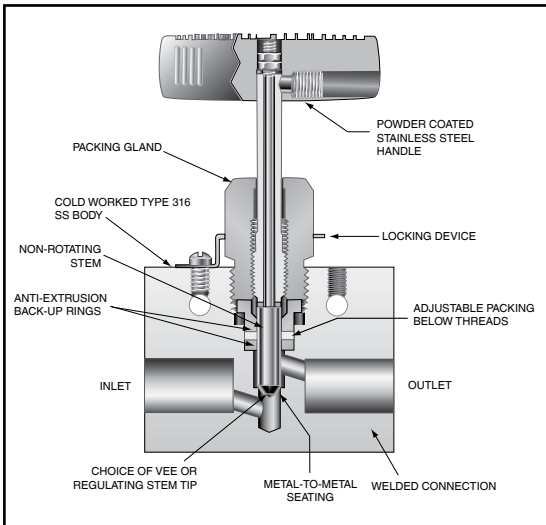
All dimensions for reference only and subject to change.

Needle Valve - PV Series

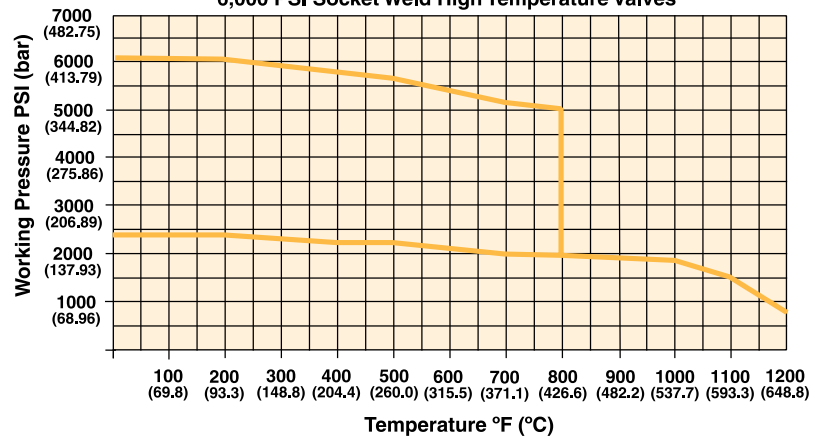
Pressures to 6,000 psi (414 bar)

Tube Outside Diameter	Connection Type	Orifice Size	Pressure Rating psi (bar) @ Room Temperature**
1/4	TW/PW	3/16"	6,000 (414)
3/8	TW/PW	1/4"	6,000 (414)
1/2	TW/PW	1/4"	6,000 (414)
3/4	TW/PW	1/2"	6,000 (414)
10mm	TW	6.50mm	6,000 (414)
12mm	TW	6.50mm	6,000 (414)
14mm	TW	6.50mm or 9.0mm	6,000 (414)
16mm	TW	9.00mm or 11.0mm	6,000 (414)

TW - Tube Weld
PW - Pipe Weld
Note: ** For temperature ratings see pressure/temperature rating guide chart below..



Pressure/Temperature Rating Curve
6,000 PSI Socket Weld High Temperature Valves

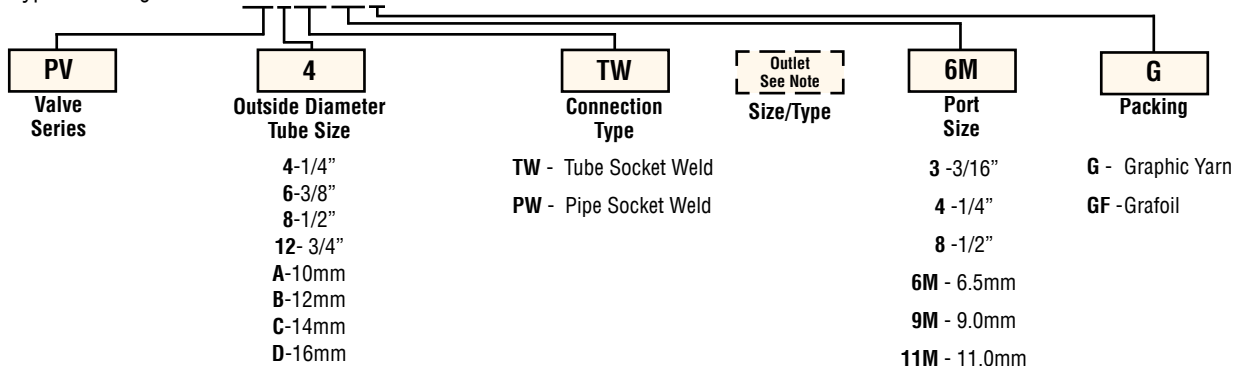


See Technical Information section for curve details.

Ordering Procedure

For complete information on available stem types, optional connections and additional valve options, see Needle Valve Options section or contact your Sales Representative.

Typical catalog number: **PV4TW6MG**



Note: Use if outlet connection is different - Example: PV4T~~W~~ATW6M-G

All general terms and conditions of sale, including limitations of our liability, apply to all products and services sold.

Valve Options

For optional connection sizes, connection types, material or other options not listed contact your sales representative. Consult factory for availability of dissimilar end connections.

Valve Maintenance

Repair Kits: add "R" to the front of valve catalog number for proper repair kit.
(Example: **RPV4TWG**)

Valve Bodies: Valve bodies are available. Order using the eight (8) digit part number found on the valve drawing or contact your Sales Representative for information.

Consult your Autoclave representative for pricing on repair kits and valve bodies. Refer to the Tools, Installation, Operation and Maintenance section for proper maintenance procedures.

Catalog Number	Stem Type	Outside Diameter Tube	Orifice Diameter	Dimensions - inches (mm)												Block Thickness	Valve Pattern
				A	B	C	D	D ₁	E	F	G	G ₁	H*	M	N		

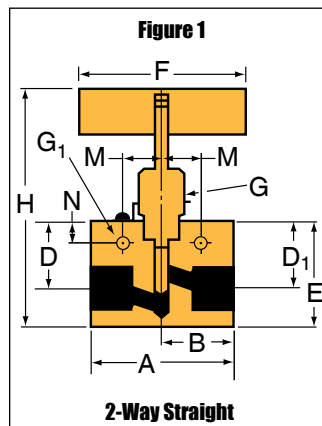
2-Way Straight

PV4TW3G	VEE	1/4	0.187	2.00	1.00		1.41	1.41	2.00	3.00	0.75	0.22	4.43	0.62	0.38	0.75	See Figure 1	
		(6.35)	(4.75)	(50.80)	(25.40)		(35.81)	(35.81)	(50.80)	(76.20)	(19.05)	(5.59)	(112.52)	(15.75)	(9.65)	(19.05)		
PVT6TW4G	VEE	3/8	0.250	2.00	1.00		1.41	1.41	2.00	3.00	0.75	0.22	4.43	0.62	0.38	0.75		
		(9.53)	(6.35)	(50.80)	(25.40)		(35.81)	(35.81)	(50.80)	(76.20)	(19.05)	(5.59)	(112.52)	(15.75)	(9.65)	(19.05)		
Metric (in)																		
PVCW6MG	VEE	14.00	6.5	50.80	25.40		35.81	35.81	50.80	76.20	19.05	5.59	111.00	15.75	9.65	19.05		
		(0.55)	(0.26)	(2.00)	(1.00)		(1.41)	(1.41)	(2.00)	(3.00)	(0.75)	(0.22)	(4.37)	(0.62)	(0.38)	(0.75)		
PVCW9MG	VEE	14.00	9.0	63.50	31.75		52.32	52.32	73.15	101.60	22.23	5.59	148.34	17.53	12.70	25.40		
		(0.55)	(0.35)	(2.50)	(1.25)		(2.06)	(2.06)	(2.88)	(4.00)	(0.88)	(0.22)	(5.84)	(0.69)	(0.50)	(1.00)		

G - Packing gland mounting hole drill size
G₁ - Bracket mounting hole size
Panel mounting drill size: 0.22" all valves.

* H Dimension is with stem in closed position.
All dimensions for reference only and subject to change.

For prompt service, Autoclave stocks select products. Consult factory.



All general terms and conditions of sale, including limitations of our liability, apply to all products and services sold.

! WARNING !

FAILURE OR IMPROPER SELECTION OR IMPROPER USE OF THE PRODUCTS AND/OR SYSTEMS DESCRIBED HEREIN OR RELATED ITEMS CAN CAUSE DEATH, PERSONAL INJURY AND/OR PROPERTY DAMAGE. This document and other information from Snap-lite, Inc., its subsidiaries and authorized distributors, provides product and/or system options for further investigation by users having technical expertise. It is important that you analyze all aspects of your application and review the information concerning the product or system in the current product catalog. Due to the variety of operation conditions and applications for these products or systems, the user, through its own analysis and testing, is solely responsible for making the final selection of the products and systems and assuring that all performance, safety and warning requirements of the application are met. The products described herein, including without limitation, product features, specifications, designs, availability and pricing, are subject to change by Snap-lite, Inc. and its subsidiaries at any time without notice.



美国 Autoclave Engineers 授权代理商:

信德迈科技(北京)有限公司 CNMEC Technology Company

地址: 北京市朝阳区望京街10号望京SOHO-T1-C座2115室

邮编: 100102 QQ: 1152366120

电话: 010-8428 2935 手机: 139 1096 2635

传真: 010-8428 8762

Http: //www.cnmec.biz

E-mail: sales@cnmec.biz

ISO-9001 Certified